



Fuse Holders and Blocks

Section Contents	Page
OPM-1038 3-pole fuse holders with disconnect switch	232
OPM-1038 3-pole fuse holders	233
OPMNGA- 3-pole Class CC and 1 ³ / ₃₂ " X 1 ¹ / ₂ " fuse overcurrent protection modules	234-235
CH Series Class J modular fuse holders	236
JT(N)60030 & JT(N)600600 Safety J™ Class J fuse holders	237-238
CH Series Global Modular fuse holders	239-240
SAMI™ fuse covers	241
H250 & R250 Series 250V Class H (K) and R fuse blocks	242-244
H600 & R600 600V Class H (K) and R fuse blocks	245-247
J600 Series Class J fuse blocks	248-249
JP Series Class J fuse blocks	250
JA60030 add-a-pole Class J fuse blocks	250
T300 300V Class T fuse blocks	251-252
T600 600V Class T fuse blocks	253-254
BCA Series Class CC add-a-pole modular fuse blocks	255
BMA Series 1 ³ / ₃₂ " X 1 ¹ / ₂ " fuse add-a-pole modular fuse blocks	255
BC Series Class CC fuse blocks	256
BM Series Type M 1 ³ / ₃₂ " X 1 ¹ / ₂ " fuse blocks	256
BG & G Series Class G fuse blocks	256
BH Series high speed fuse modular fuse blocks	257
Class H & J modular fuse blocks	257
Plug fuse box cover units	258
HFB & HEB-10 in-line fuse holders for 1/4" X 1 1/4" fuses	259
HHB & HRK universal in-line fuse holders for 1/4" dia. fuses	259
HR & HM Series in-line fuse holders for 1/4" dia. fuses	260
HFA Series waterproof in-line fuse holders for 1/4" X 1 1/4" fuses	260
HHT Series in-line fuse holders for 5 X 15 to 20mm fuses	260
Tron® in-line fuse holders	261-262
Panel mounted fuse holders for 5 X 20mm fuses	263
Panel mounted fuse holders for 1/4" X 1 1/4" fuses	264
Panel mounted fuse holders for 5 X 20mm and 1/4" X 1 1/4" fuses	265-266
Panel mounted fuse holders for indicating type fuses	267
Panel mounted fuse holders for 1 3/32" X 1 1/16" to 1 1/2" fuses	268
Panel mounted fuse holders for 1 3/32" X 1 1/2" fuses	269
Fuse blocks for 1/4" X 1 1/4" fuses	270
Fuse blocks for 1/4" X 1" fuses	271
Fuse blocks for 1 3/32" X 1 1/2" fuses	272
Rail mount fuse holders	273

Fuse Holders & Blocks

RED indicates NEW information

Fuse Holders and Blocks

Optima® fuse holder module and disconnect switch

OPM-1038 With Disconnect Switch



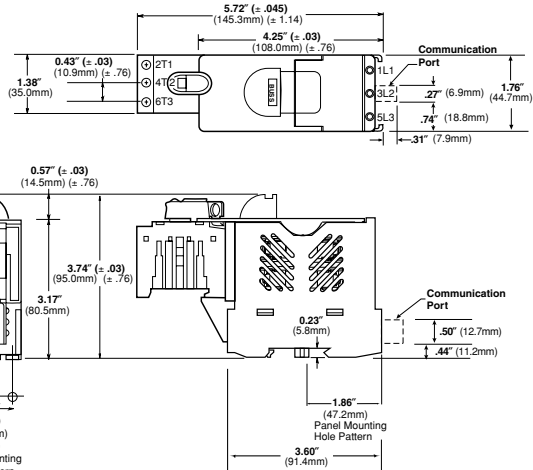
Features/Benefits

- Padlockable with finger-safe terminals. (Qualified as IP-20 per IEC 60529) for safety.
- Cam-action handle for easy module removal, offered with Class CC rejection clips or European 10 x 38mm clips to meet global needs
- Wire ready with 35mm DIN-rail or screw panel mounting (#8 screw, 1 1/4" long) saves installation time
- "Permanent" fuse indication lights with option for remote "permanent fuse" status indication feature available (reduces downtime!). See Data Sheet for additional wiring details.

Typical Applications

- Industrial Control
- Process Control Systems
- Automated Warehouse Systems
- Individual Control Circuits

Dimensions



Catalog Number Build-A-Code

Series	Fuse Type	Communication
O P M - 1 0 3 8	Blank = 10 x 38mm or 1 1/2" x 1-1/2" R = Class CC	C = Communication Feature

Specifications

Description: 3-pole load break modular fuse holder and disconnect switch for 1 1/2" x 1 1/2" (10 x 38mm) fuses.

Dimensions: See Dimensions illustration.

Construction: Grey thermoplastic.

Poles: 3

Agency Information: CE, UL (see table), CSA Certified, C22.2 No. 39, Class 6225-01, File 47235, IEC (see table).

Flammability Rating: UL 94V0.

Horsepower Rating of Switch

3PH	V	240	480	600
	HP	5	10	15

Recommended Fuse Types

Class CC	Midget (Non-Rejection)	European
LP-CC	KTK	C10M
KTK-R	FNM	C10G
FNQ-R	FNQ	

Physical Characteristics

- Small size matches 45mm IEC starter width
- Accepts #8-18 AWG stranded, #10-18 AWG solid wire
- 3-pole
- Handle and shaft required for through the door operation

Catalog Numbers

Catalog Numbers	Electrical Rating	SCCR** Rating	Clips	Remote Open Fuse Indication	UL Information Std.	File	Guide	IEC	CE
OPM-1038SW	30A, 600Vac UL/CSA 32A, 660Vac IEC	*	Non-rejection, 10x38mm or 1 1/2" x 1 1/2"	No	Recognized UL 508	E161278	NLRV2	IEC 60947-3	Yes
OPM-1038RSW	30A, 600Vac UL/CSA	100kA	Rejection, Class CC	No	Listed UL 508	E161278	NLRV		Yes
OPM-1038SWC	30A, 600Vac UL/CSA 32A, 660Vac IEC	*	Non-rejection, 10x38mm or 1 1/2" x 1 1/2"	Yes	Recognized UL 508	E161278	NLRV2	IEC 60947-3	No
OPM-1038RSWC	30A, 600Vac UL/CSA	100kA	Rejection, Class CC	Yes	Listed UL 508	E161278	NLRV		No

*Rating varies depending on fuse used in module; 100kA maximum

**Short-Circuit Current Rating

Data Sheet: 1103

Optima® fuse holder module

OPM-1038



Catalog Number Build-A-Code

Series	Fuse Type	Communication
O P M - 1 0 3 8	Blank	Communication
	Blank = 10 x 38mm or 1/2" x 1 1/2"	Communication Feature
	R = Class CC	

Specifications

Description: 3-pole modular fuse holder for 1 3/32" x 1 1/2" (10 x 38mm) fuses.

Dimensions: See Dimensions illustration.

Construction: Grey thermoplastic.

Poles: 3

Agency Information: CE, UL (see table), CSA Certified, C22.2 No. 39, Class 6225-01, File 47235, IEC (see table).

Flammability Rating: UL 94V0.

Recommended Fuse Types

Class CC	Midget (Non-Rejection)	European
LP-CC	KTK	C10M
KTK-R	FNM	C10G
FNQ-R	FNQ	

Physical Characteristics

- Small size matches 45mm IEC starter width
- Accepts #8-18 AWG stranded, #10-18 AWG solid wire
- 3-pole

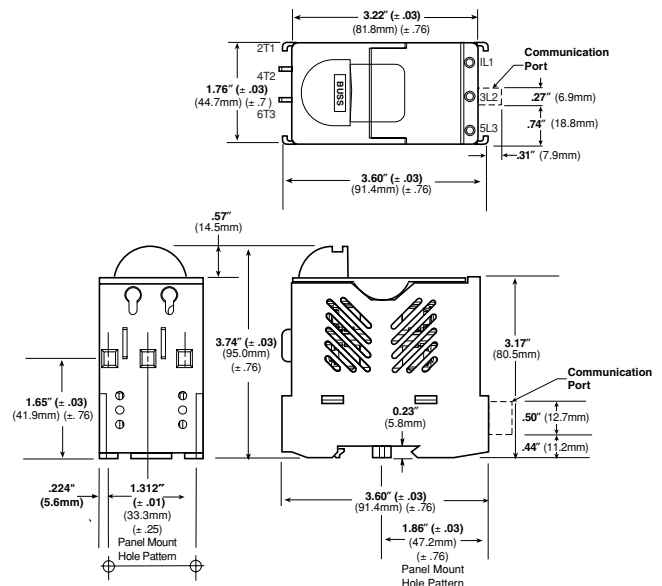
Features and Benefits

- Padlockable with finger-safe terminals. (Qualified as IP-20 per IEC 529) for safety.
- Cam-action handle for easy module removal, offered with Class CC rejection clips or European 10 x 38mm clips to meet global needs
- Wire ready with 35mm DIN-rail or screw panel mounting (#8 screw, 1 1/4" long) saves installation time
- "Permanent" fuse indication lights with option for remote "permanent fuse" status indication feature available (reduces downtime!). See Data Sheet for additional wiring details.

Typical Applications

- Industrial Control
- Process Control Systems
- Automated Warehouse Systems
- Individual Control Circuits

Dimensions



Fuse Holders & Blocks

Catalog Numbers

Catalog Numbers	Electrical Rating	SCCR** Rating	Clips	Remote Open Fuse Indication	UL Information Std.	File	Guide	IEC	CE
OPM-1038	30A, 600Vac/dc UL/CSA (Max 3 Watts per fuse) 32A, 660V IEC	*	Non-rejection, 10 x 38mm or 1 3/32" x 1 1/2"	No	Recognized UL 512	E14853	IZLT2	IEC 60269-2-1	Yes
OPM-1038R	30A, 600Vac/dc UL/CSA	200kA	Rejection, Class CC	No	Listed UL 512	E14853	IZLT		Yes
OPM-1038C	30A, 600Vac/dc UL/CSA (Max 3 Watts per fuse) 32A, 660V IEC	*	Non-rejection, 10 x 38mm or 1 3/32" x 1 1/2"	Yes	Recognized UL 512	E14853	IZLT2	IEC 60269-2-1	No
OPM-1038RC	30A, 600Vac/dc UL/CSA	200kA	Rejection, Class CC	Yes	Listed UL 512	E14853	IZLT		No

*Rating varies depending on fuse used in module; 200kA maximum.

**Short-Circuit Current Rating

Data Sheet: 1102

Optima® three-pole overcurrent protection module

OPM-NG-



Specifications

Description:

OPM-NG-SC3: 3-pole Class CC fuse holder for use with Class CC fuses (Cooper Bussmann Types LP-CC, FNQ-R, KTK-R).

OPM-NG-SM3: 3-pole fuse holder for use with 1½" x 1½" and 10.3 x 38mm fuses (Cooper Bussmann Types: 1½" x 1½"; KTK, FNQ, KLM, 10 x 38mm; FWA, FWC, C10G_ , C10M_).

Ratings:

- Volts: — OPM-NG-SC3: 600Vac (or less)
 — OPM-NG-SM3: 600Vac (or less) UL and CSA 30A
 — OPM-NG-SM3: 690Vac (or less) IEC 32A
- Amps: — OPM-NG-SC3: 0-30A
 — OPM-NG-SM3: 0-30A
- SCCR: — OPM-NG-SC3: 200kA
 — OPM-NG-SM3: Same as fuse IR, 200kA maximum

Agency Information: CE, UL; OPM-NG-SC3 UL Listed, UL 512, File E14853, Guide IZLT. OPM-NG-SM3, UL Recognized, UL512, File E14853, Guide IZLT2. CSA Certified, C22.2 No. 39, Class C6225-01, File 47235. IEC 60947-3 Utilization Category AC20B.

Handling & Storage Temperature: -10°-65°C.

Features/Benefits

- 45mm width matches IEC starters, 35mm DIN rail or panel mounting feature. Maximum screw size #8 (M4)
- Pressure plate terminations with dual-wire rated terminals (see Wire Table) and optional auxiliary contacts
- Integrated collapsible handle and fuse carrier cannot be removed from holder base
- Padlockable and IP-20 finger-safe to IEC60529

Typical Applications

- Mass Produced Control Systems
- Process Control Systems
- Automated Warehouse Systems
- Individual Control Circuits

Fuse holder Wire Range:

- 75°CU Only
- #18-12 Single/Dual, torque 15in-lb
- #10-8 Single/Dual, torque 20in-lb
- Dual wire with same gauge and type

		75° CU Only		C (N·m)/lb-in
		AWG	[mm ²]	
Solid		#18-8 x 1	1-6 x 1	18-12 Single/Dual 15in-lb (1.7 N·m)
		#18-8 x 2	1-6 x 2	
Stranded		#18-8 x 1	1-6 x 1	10-8 Single/Dual
		#18-8 x 2	1-6 x 2	
Ferrules			1-4 x 1	20in-lb (2.5 N·m)
			1-4 x 2	

Input Power Terminal Wire Range:

Wiring	Solid	(1) #14 to #2 (1.5 to 25mm ²) or conductor
	Conductor	(2) #14 to #6 (1.5 to 10mm ²) conductors
	Stranded	(1) #14 to #2 (1.5 to 25mm ²) conductor or
	Conductor	(2) #12 to #6 (2.5 to 10mm ²) conductors
Tightening	Connector	20in-lb (2.2 N·m)
Torque:	Screw Clamp	15in-lb (1.7 N·m)

Materials:

- **Housing:** Thermoplastic - UL V-2
- **Clip:** Tin-plated copper alloy
- **Contact lubricant:** Fluoroether grease
- **Saddle screw:** Plated steel
- **DIN rail springs:** Stainless steel

Optional Accessories:

Comb Bar (Max current rating = 63A)

OPMNGSA245	2 circuit, 45mm between same phases
OPMNGSA254	2 circuit, 54mm between same phases
OPMNGSA272	2 circuit, 72mm between same phases
OPMNGSA345	3 circuit, 45mm between same phases
OPMNGSA354	3 circuit, 54mm between same phases
OPMNGSA445	4 circuit, 45mm between same phases
OPMNGSA454	4 circuit, 54mm between same phases
OPMNGSA472	4 circuit, 72mm between same phases
OPMNGSA554	5 circuit, 54mm between same phases

Input Terminal Block (Max current rating = 63A)

OPMNGSA005	Input/Feed Through Power Terminal, Supports feed through to another system, DIN-rail mount only
OPMNGSA009	Input Power Terminal

Cover

OPMNGSA010	Protective Cover for unused terminals on comb bar
------------	---

Auxiliary Contacts

OPMNGSAAUX11	NO/NC
OPMNGSAAUX20	NO/NO

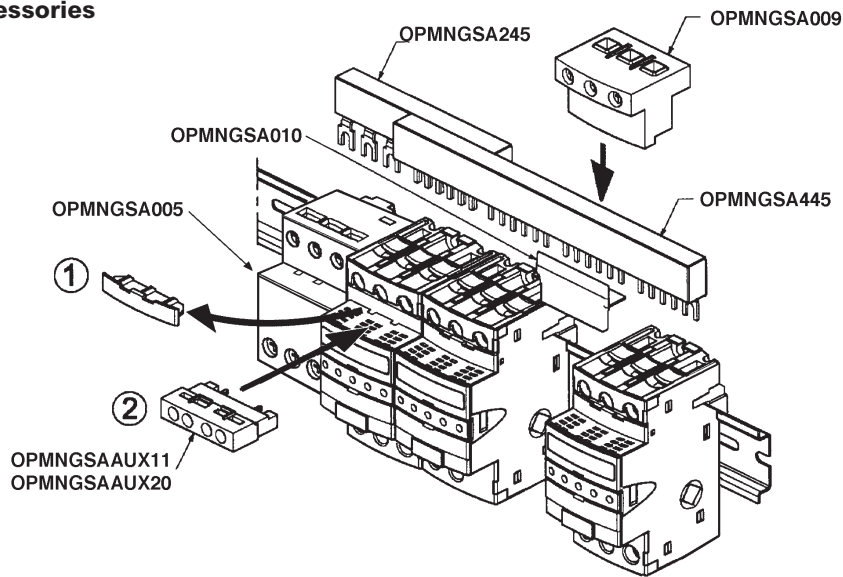
Marking Tabs

OPMNGSA101	Marking Tab - Mounts to front of carrier, quantity 100
------------	--

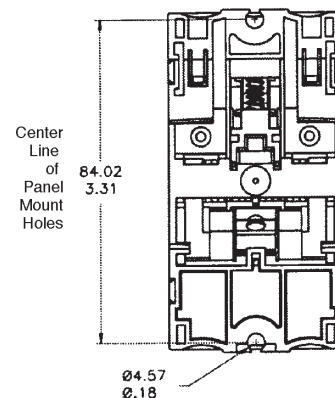
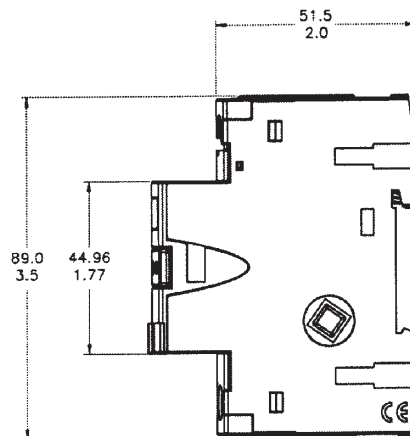
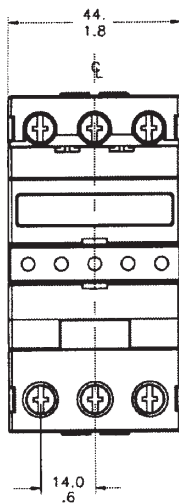
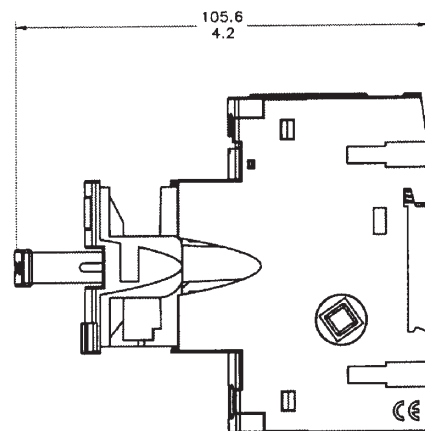
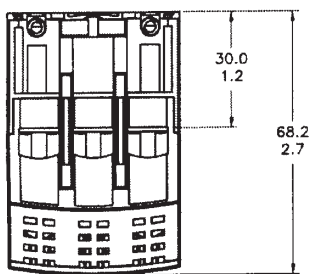
Fuse Holders and Blocks

Optima® three-pole overcurrent protection module

Optional Accessories



Dimensions Millimeters (± 0.38), Inches (± .015)



Fuse Holders & Blocks

Fuse Holders and Blocks

Class J modular fuse holders

CH _ _ J _

Specifications

Description: IP-20 finger-safe, 1- to 3- pole Class J fuse holder with DIN rail or panel mounting.

Construction: Molded polyester housing, nickel-plated brass contacts and stainless steel DIN rail retaining spring.

Ratings:

Volts: — 600V

Amps: — 30A (30A version)

— 60A (60A version)

SCCR: — 200kA

Wire Range: 1-18 AWG CU solid and stranded conductors with single and dual wire ratings. See Catalog Numbers table for details.

Torque Rating: 10-18 AWG 24 in-lb.
1-8 AWG 35 in-lb.

Poles: 1-, 2- or 3-Pole.

Operating Temperature: +105/-30°C (+221/-22°F).

Agency Information: CE, UL 512/CSA 22.2.

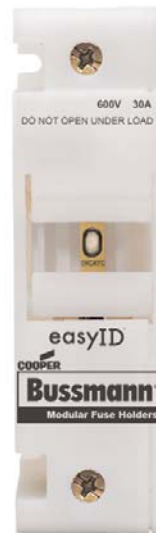
Flammability Rating: UL 94V0 (white).

Catalog Numbers

See Catalog Numbers table below.

Features and Benefits

- New, easyID™ indication window provides power-off indication with choice of local indication (indication can be retrofitted).
- Versatile 1-, 2- and 3-pole versions in 30A or 60A ratings with dual wire rated connections simplify wiring.
- Improved electrical safety with IP20 finger-safe construction with lock-out/tag-out feature. 3-phase fuse extraction assures all phases are opened for service work.
- Flexible panel/35mm DIN rail mounting options



30 Amp Version



60 Amp Version

Dimensions (mm):

30A:	1-Pole	32 W X 70 D X 115 H
	2-Pole	64 W X 70 D X 115 H
	3-Pole	96 W X 70 D X 115 H
60A:	1-Pole	40 W X 83 D X 125 H
	2-Pole	80 W X 83 D X 125 H
	3-Pole	120 W X 83 D X 125 H

Accessories

- Field installable local indication

Catalog Numbers

Catalog Numbers	Amp Rating	Volts	# of Poles	IP-20 Finger-Safe	Mounting	Padlockable	Local Indication	AWG Wire Range
CH30J1	30	600	1	Yes	35mm DIN/ Panel	Yes	easyID*	1-18
CH30J1I	30	600	1	Yes	35mm DIN/ Panel	Yes	Neon**	1-18
CH30J2	30	600	2	Yes	35mm DIN/ Panel	Yes	easyID*	1-18
CH30J2I	30	600	2	Yes	35mm DIN/ Panel	Yes	Neon**	1-18
CH30J3	30	600	3	Yes	35mm DIN/ Panel	Yes	easyID*	1-18
CH30J3I	30	600	3	Yes	35mm DIN/ Panel	Yes	Neon**	1-18
CH60J1	60	600	1	Yes	35mm DIN/ Panel	Yes	easyID*	1-18
CH60J1I	60	600	1	Yes	35mm DIN/ Panel	Yes	Neon**	1-18
CH60J2	60	600	2	Yes	35mm DIN/ Panel	Yes	easyID*	1-18
CH60J2I	60	600	2	Yes	35mm DIN/ Panel	Yes	Neon**	1-18
CH60J3	60	600	3	Yes	35mm DIN/ Panel	Yes	easyID*	1-18
CH60J3I	60	600	3	Yes	35mm DIN/ Panel	Yes	Neon**	1-18

* easyID™ viewing window, requires use of Cooper Bussmann LPJ_SPI permanent indication fuses.

** Indication non-fuse dependent.

Data Sheet: 2144

Class J (finger-safe) fuse holders

Safety J™ — JT(N)60030 & JT(N)60060

Specifications

Description: Indicating and non-indicating finger-safe, DIN rail mount fuse holders for use with Class J fuses - (Cooper Bussmann® LPJ, JKS).

Dimensions: See Dimensions illustrations.

Construction: Thermoplastic.

Ratings:

Volts: — 600V

Amps: — 0-60A (JT(N)60060)

— 0-30A (JT(N)60030)

SCCR: — 200,000A RMS Sym.

— 300,000A self certified using Cooper Bussmann® LPJ_SP fuses

Agency Information: CE, Listed to UL 512: Guide IZLT, File 14853, CSA Certified: Class 6225-01, File 47235. IP-20 per IEC 60529.

Flammability Rating: UL 94V0.

Indication: Min voltage: 90Vac, 115Vdc; neon lamp “ON” when fuse opens, voltage source and current path are present.

Terminations: 30A dual port torque 20in-lb, 60A single port torque 45in-lb, terminal construction, tin-plated copper alloy.

Wire Size: JT(N)60030 - rated for 75°C, AWG#18-#8; CU only, JT(N)60060 - rated for 75°C, AWG#14-#4; CU only.

(Note: For JT(N)60030 use both stranded or solid, in a variety of dual wire combinations of same wire size and type.)

Features and Benefits

- Short-Circuit Current Rating of 300,000A with Cooper Bussmann® LPJ__SP fuses.
- Rapid, flexible 35 mm DIN rail mounting.
- One piece interlocking design for assembling multiple pole blocks reduces inventory costs.
- Removable fuse carrier allows fuse replacement away from base while maintaining finger-safe rating.

Typical Applications

- Industrial Controls
- Process Controls
- Small HP VFDs

Catalog Numbers

Catalog Numbers	Amps	Indication
JT60030	30	Non-indicating
JT60060	60	Non-indicating
JTN60030	30	Indicating (Neon)
JTN60060	60	Indicating (Neon)



30 Amp Version



60 Amp Version

Did You Know?

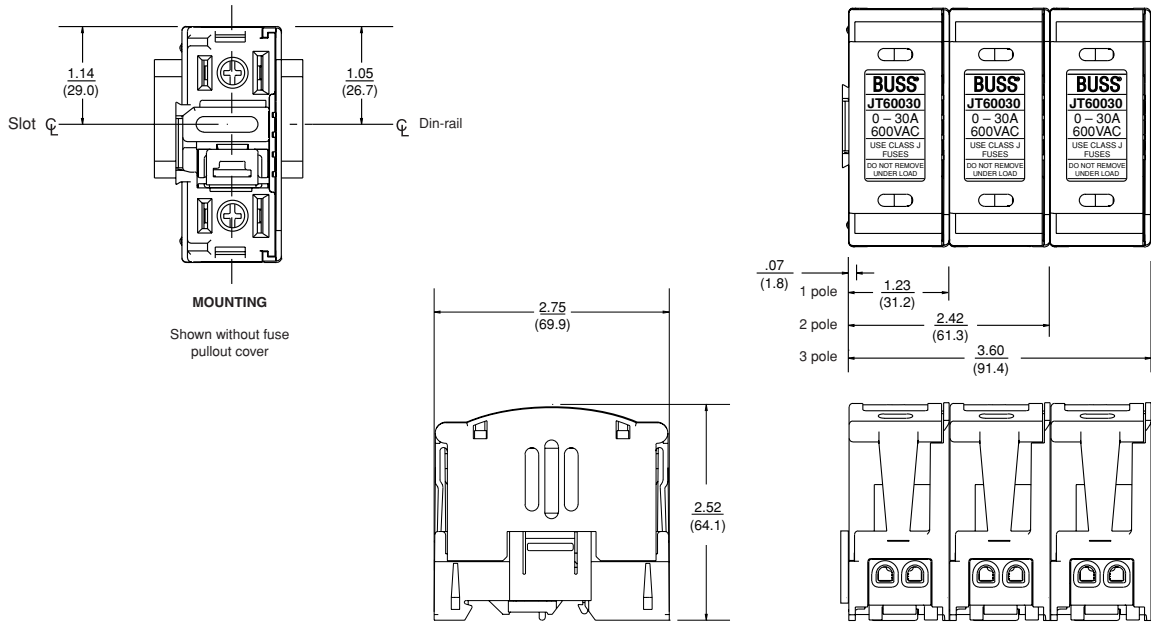
Safety is Good for Business

The Cooper Bussmann® product line includes finger-safe overcurrent protection devices including the CUBEFuse®, the Surge3™ surge protection device, and the Optima®-NG fuse holder to promote worker safety and reduce downtime.

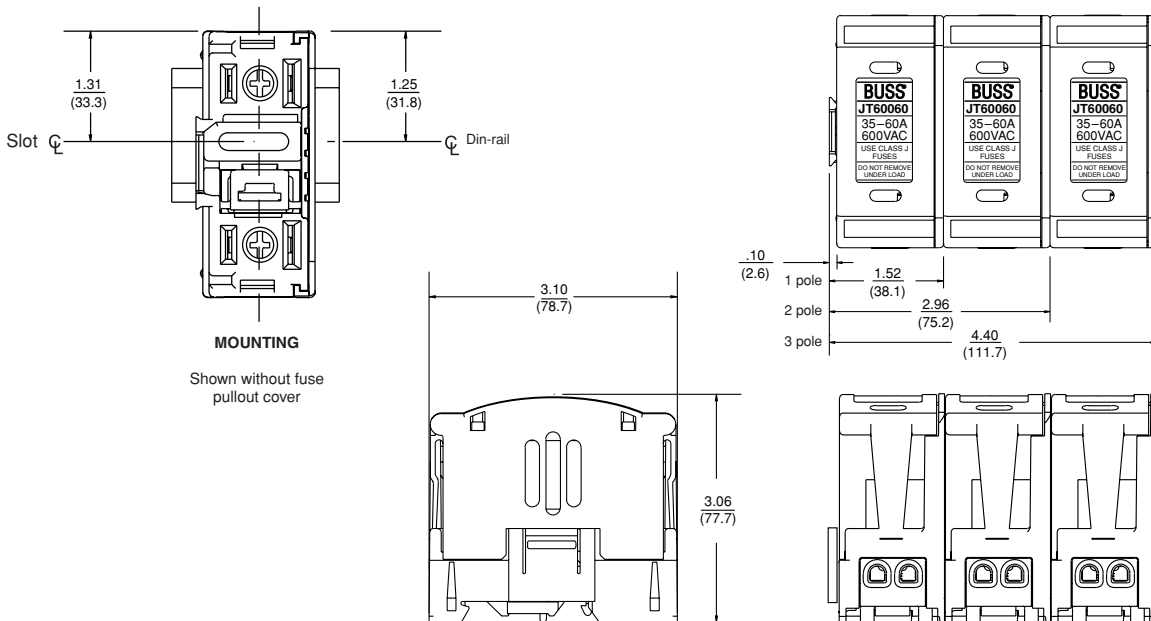
Fuse Holders and Blocks

Class J (finger-safe) fuse holders

Dimensions for JT60030 & JTN60030 — in (mm)



Dimensions for JT60060 & JTN60060 — in (mm)



JT(N)600 Series fuse blocks can be dovetailed together within the same current rating to provide multiple pole block configurations.

NOTE: JT(N)60030 cannot be dovetailed to JT(N)60060.

Global modular fuse holders

CH Series

Specifications

Description: The 'CH' line of modular fuse holders accommodates many fuses from around the world, including North American Class-CC, Midget, Class gR, aR HSF, and IEC Industrial Ferrule (Class gG and aM) in four physical sizes: 8x32, 10x38, 14x51 and 22x58mm.

Agency Information: Manufactured in accordance with IEC 60269 and IEC 60947-3. UL and CSA Compliance as indicated in the Catalog Numbers table.

Flammability Rating: UL 94V0.

Features/Benefits

- See table notes for short-circuit current ratings
- Finger-safe multiple pole configurations
- Optional "open-fuse" indication (minimum 90Vac, 115Vdc for indicator lights)
- 14x51 & 22x58mm configurations available with optional micro-switches for remote "open-fuse" indication, pre-breaking, and fuse presence
- Multi-phase connections available for ganging poles



Typical Applications

- Industrial Controls
- Process Controls
- Individual Control Circuits

Catalog Numbers

Catalog Numbers W/O Indication	W/Indication	Series/ Size	Max Voltage & Current	IEC	UL	CSA	Phase Configuration	No. of 17.5mm Modules*	Box Qty.	Wire Range	Maximum Torque	
CH081D	CH081DI	CH08 8X32	IEC 400Vac 25A	•			1-pole	1	12	1-16mm2 (18-8 AWG)	2.5 N•m (22in-lb)	
CH081DNX	-			•			1 Neutral Pole	1	12			
CH081DNS	CH081DNSI			•			1-pole + Neutral	1	12	1-10mm2 (18-8 AWG)	2.0 N•m (17.5in-lb)	
CH081DN	CH081DNI			•			1-pole + Neutral	2	6			
CH082D	CH082DI			•			2-pole	2	6	1-16mm2 (18-8 AWG)	2.5 N•m (22in-lb)	
CH083D	CH083DI			•			3-pole	3	4			
CH083DNS	CH083DNSI			•			3-pole + Neutral	3	4			
CH083DN	CH083DNI			•			3-pole + Neutral	4	3			
CH084D	CH084DI			•			4-pole	4	3			
CHM1D	CHM1DI	CHM 10X38 & Midget	UL/CSA 600Vac/dc, 30A (3 Watt) 690Vac, 32A	•	†	•	1-pole	1	12	1-16mm2 (18-8 AWG)	2.5 N•m (22in-lb)	
CHM1DNX	-			•			1 Neutral Pole	1	12			
CHM1DNS	CHM1DNSI			•			1-pole + Neutral	1	12	1-10mm2 (18-8 AWG)	2.0 N•m (17.5in-lb)	
CHM1DN	CHM1DNI			•			1-pole + Neutral	2	6			
CHM2D	CHM2DI			•		†	•	2-pole	2	6	1-16mm2 (18-8 AWG)	2.5 N•m (22in-lb)
CHM3D	CHM3DI			•		†	•	3-pole	3	4		
CHM3DNS	CHM3DNSI			•				3-pole + Neutral	3	4		
CHM3DN	CHM3DNI			•				3-pole + Neutral	4	3		
CHM4D	CHM4DI			•				4-pole	4	3		
CHCC1D	CHCC1DI	CHCC Class CC	UL/CSA 600Vac/dc, 30A			††	•	1-pole	1	12	1-16mm2 (18-8 AWG)	2.5 N•m (22in-lb)
CHCC2D	CHCC2DI					††	•	2-pole	2	6		
CHCC3D	CHCC3DI					††	•	3-pole	3	4		
CH141D	CH141DI	CH14 14X51	UL 600Vac/dc, 40A (5 Watt) IEC 690Vac, 50A	•	†		1-pole	1.5	6	2.5-16mm2 (14-6 AWG)	3.0 N•m (26in-lb)	
CH141DMS	-			•				1-pole + Microswitch	1.5			6
CH141DNX	-			•				1 Neutral Pole	1.5			6
CH141DN	CH141DNI			•				1-pole + Neutral	3			3
CH142D	CH142DI			•		†		2-pole	3			3
CH143D	CH143DI			•		†		3-pole	4.5			2
CH143DMS	-			•				3-pole + Microswitch	4.5			2
CH143DN	CH143DNI			•				3-pole + Neutral	6			1
CH143DNMS	-			•				3-pole + Neutral + Microswitch	6			1
CH144D	CH144DI			•				4-pole	6			1
CH221D	Not	CH22 22X58	UL 600Vac/dc, 100A (9.5 Watt) IEC 690Vac, 125A	•	†		1-pole	2	6	2.5-50mm2 (14-1 AWG)	4.0 N•m (35in-lb)	
CH221DMS	Available			•				1-pole + Microswitch	2			6
CH221DNX	with			•				1 Neutral Pole	2			6
CH221DN	local			•				1-pole + Neutral	4			3
CH222D	neon			•		†		2-pole	4			3
CH223D	indication			•		†		3-pole	6			2
CH223DMS	(remote			•				3-pole + Microswitch	6			2
CH223DN	microswitch			•		†		3-pole + Neutral	8			1
CH223DNMS	(only)			•				3-pole + Neutral + Microswitch	8			1
CH224D	-			•				4-pole	8			1

† UL Recognized (SCCR same as fuse IR)

†† UL Listed (200kA SCCR)

*Holder width as compared to standard 17.5mm module.

i.e. 1 = 17.5mm 2 = 35mm.

Data Sheet: 2143

Global modular fuse holders

Recommended Cooper Bussmann® Fuse Types

- 8x32 IEC ferrule - C08 Series
- 10x38 North American Class CC Fuses - LP-CC, FNQ-R, KTK-R
Fuses - FNQ, KTK, AGU, KM, BAF, BAN, GNM, FWA, FWC, C10 Series
- 14x51 Fuses - FWX, FWH, FWP & NON, C14 Series
- 22x58 Fuses - FWP, C22 Series

High Speed Fuses For Semiconductor Protection

The 'CH' range of modular fuse holders may be used in conjunction with Class gR and aR high-speed fuses, offering a touch-safe design with no exposed contacts. See Data Sheet 2143 for details. Contact Cooper Bussmann Application Engineering for more information regarding high-speed fuse application.

Accessories for CH Series

Catalog Numbers	Accessory	For Use with Fuse Holders	No. of Poles	Box Qty.
AL-D	Multi-Phase Connection Links	CH08, CHM,	-	12
		CHCC, AND	-	12
		CH14 Series	-	12
CH810-HP	Multi-Phase Handle Pins	CH08, CHM,&	-	12
		CHCC Series	-	12
CH14-HP		CH14 Series	-	12
C08NL	Neutral Links	CH08 Series	-	10
C10NL, NNB		CHM Series	-	10
NNB-R		CHCC Series	-	10
C14NL		CH14 Series	-	10
C22NL		CH22 Series	-	10
CH14MS-1D		Operated-Fuse Micro-Switches	CH141 Series	1
CH14MS-3D		CH143 Series	3	2

Multi-Phase Connection Links



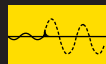
Multi-Phase Handle Pins



Operated-Fuse Micro-Switches



Neutral Links



Did You Know?

Cooper Bussmann® Optima® OPM-NG Wins Product of the Year Award

As voted by the readers of Plant Engineering Magazine, the Cooper Bussmann® Optima® OPM-NG modular fuseholder won a Product of the Year Award (Silver) in the power products category. This prestigious honor recognizes innovative products used by electrical, engineering and maintenance professionals to improve safety and increase productivity.

The OPM-NG fuseholder's design incorporates IP-20 finger-safe construction with integral DIN rail spring mounting — requiring no tools — so installation is fast and easy. When the OPM-NG is used in motor starter applications, wiring time in group installations can be reduced by up to 80 percent.

The compact 45 mm width matches the OPM-NG with 32A/45 mm IEC motor starter requirements. The low profile handle is integral with the fuse carrier and acts as a built-in fuse puller. This eliminates the inconvenience of needing an extra tool to remove the fuses.

SAMI™ fuse covers

SAMI™ Series



Specifications

Description: Indicating and non-indicating fuse covers for Class J, RK1, RK5, H, K5, CC, G (0-30A) and midget-type fuses. Indicating feature requires a minimum of 90Vac or 115Vdc to illuminate lamp. One cover required for each pole.

WARNING: To avoid electrical shock, turn power off before installing, removing or servicing.

Dimensions: See Dimensions illustration.

Ratings:

Volts: — — Non-Indicating - 0-600Vac/dc
 — Indicating - 90 to 600Vac
 -115 to 600Vdc

Amps: — 0-100A

Agency Information: CE, UL Listed; SAMI-11 through SAMI-61, SAMI-81 and SAMI-91, SAMI-1N through SAMI-6N, SAMI-8N and SAMI-9N, UL Recognized; SAMI-71 and SAMI-7N, CSA Certified, File LR47235-93C.

Catalog Numbers

Catalog Numbers**	Description	Dimensions (inches)		
		A	B	C
SAMI-1_	600V, J (0-30A) and 600V, T (35-60A)* 250V, RK, K5, H (35-60A)	5.02	1.03	1.94
SAMI-2_	600V, RK, K5, H (0-30A)	7.03	1.30	2.07
SAMI-3_	600V, J (65-100A)	7.03	1.30	2.33
SAMI-4_	250V, RK, K5, H (65-100A)	8.20	1.30	2.18
SAMI-5_	600V, RK, K5, H (35-60A)	8.20	1.30	2.18
SAMI-6_	600V, J (35-60A)	4.98	1.17	2.14
SAMI-7_	600V, Midget, Class CC, G (0-30A)	3.82	0.75	1.72
SAMI-8†_	600V, RK††, K5, H (65-100A)	10.38	1.50	2.33
SAMI-9_	250V, RK, K5, H (0-30A) and 600V, T (0-30A)	3.82	0.75	1.72

*Available in non-indicating only.
 **For indicating cover, add suffix "I", for non-indicating cover, add suffix "N".
 Example: SAMI-7I = Indicating, SAMI-7N = Non-indicating
 †SAMI-8A adapter available for small fusetron body design. SAMI-8I and SAMI-8N come standard with adapter (SAMI-8A).
 ††Not for use with KTS-R fuses.

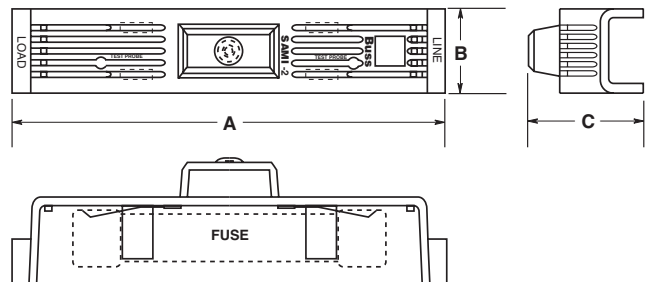
Features and Benefits

- Insulated cover allows field conversion of fuses mounted in open fuse blocks to dead front configuration.
- Optional open fuse indicating light aids in system troubleshooting.
- Units are re-usable.
- Allows visual marking of line and load side of fuses.

Typical Applications

- Class H, R and J fuse blocks up to 100A
- Class T fuse blocks up to 60A
- Class CC, G and Midget, 30A fuse blocks

Dimensions



Fuse Holders & Blocks

Fuse Holders and Blocks

Class H(K) and R fuse blocks – 250V

H250 & R250 Series

Specifications

Descriptions:

H250 Series: fuse blocks for use with 1-, 2- and 3-pole Class H fuses.

R250 Series: fuse blocks for use with 1-, 2- and 3-pole Class R fuses (Cooper Bussmann LPN-RK and FRN-R, DLN-R and KTN-R fuses).



Dimensions: See Dimensions illustrations.

Construction: Thermoplastic.

Ratings:

Volts: — 250V (H250 & R250 Series)

Amps: — 1/10-600A

SCCR: — H250 Series; 10,000A RMS Sym.

— R250 Series; 200,000A RMS Sym.

Agency Information: CE, UL Listed UL512, Guide IZLT, File E14853; CSA Certified, Class 6225-01, File 47235.

Flammability Rating: UL 94V0.

Features and Benefits

- H250 fuse blocks provide one, two and three pole housing for Class H, K and R fuses at 250Vac.
- H250 fuse blocks are listed with a Short Circuit Current Rating of 10,000A RMS Sym.
- R250 fuse blocks provide one, two and three pole housing for Class R fuses at 250Vac.
- R250 fuse blocks are listed with a Short Circuit Current Rating of 200,000 amps RMS Sym.

Typical Applications

- 250V or less Control Systems
- 250V or less Industrial Control
- 250V or less Individual Control Circuits

Specifications For Class H Fuse blocks (250V) Catalog Data(for NON and REN Fuses)

Basic Catalog Numbers	Amps	Poles	Terminal Type (Suffix No.)										Wire Range
			Screw					Box Lug w/					
			I	Clips w/ Rein. Spring	Pres. Plt.	Pres.Plt. & Clip w/ Rein. Spring	I	Clips w/ Rein. Spring	Clips w/ Rein. Spring	CU Only	CU Only	0.25" Qck. Con.	
H25030-1	1/10-30	1	S	SR	P	PR	C	CR	COR	CO	Q	C, CR #2-14 CU, #2-12 AL	
H25030-2		2	S	SR	P	PR	C	CR	COR	CO	Q	CO, COR #6-14 CU ONLY	
H25030-3		3	S	SR	P	PR	C	CR	COR	CO	Q	P, PR #10-18 CU ONLY Q N/A, S, SR #10-18 CU ONLY	
H25060-1	31-60	1	—	—	—	—	C	CR	COR	CO	—	C, CR #2-14 CU, #2-8 AL	
H25060-2		2	—	—	—	—	C	CR	COR	CO	—	CO, COR #2-14 CU ONLY	
H25060-3		3	—	—	—	—	C	CR	COR	CO	—		
H25100-1	61-100	1	—	SR	—	—	—	CR	COR	—	—	COR #1/0-8 CU ONLY	
H25100-2		2	—	SR	—	—	—	CR	COR	—	—	CR #1/0-8 CU/AL	
H25100-3		3	—	SR	—	—	—	CR	COR	—	—	SR #8W/ Ring Terminal	
H25200-1	101-200	1	—	—	—	—	—	CR	—	—	—	CR 250kcmil-6 CU/AL	
H25200-3		3	—	—	—	—	—	CR	—	—	—		
H25400-1	201-400	1	—	—	—	—	—	CR*	—	—	—	CR 500kcmil-4 CU/AL	
H25400-3		3	—	—	—	—	—	CR†	—	—	—		
H25600-1	401-600	1	—	—	—	—	—	CR	—	—	—	CR (2) 500kcmil-4/0 CU/AL	
H25600-3		3	—	—	—	—	—	CR†	—	—	—		

*UL Recognized, CSA Certification.

†No UL, No CSA Certification.

Dimensions For Class H Fuse blocks (250V) Catalog Data (for NON and REN Fuses)

Basic Catalog Numbers	Fig. No.	Dimensions (in) — See next page for figures.								J Dia. X C' Bore	K
		A	B	C	D	E	F	G	H		
H25030-1	1	(See Figures)									
H25030-2	2	(See Figures)									
H25030-3	3	(See Figures)									
H25060-1	4	4.25	1.73	1.5	1.5	0.5	0.5	1.25	—	0.22 x 0.41	0.27
H25060-2	5			2.81					1.31		
H25060-3	6			4.125					1.31		
H25100-1	7	(See Figures)									
H25100-2	8	(See Figures)									
H25100-3	9	(See Figures)									
H25200-1	10	7.125	3.09	3.0	2.06	0.5	2.0	3.0	0.75	—	0.31
H25200-3	11	(See Figures)									
H25400-1	10	9.06	4.0	3.0	3.02	0.63	1.75	3.0	1.00	—	0.31
H25400-3	12	9.06	4.0	4.0	2.50	0.82	9.25	10.88	1.00	—	
H25600-1	10	11.0	4.97	3.0	4.0	1.125	1.75	4.0	1.00	—	0.31
H25600-3	12	11.0	4.97	5.0	3.0	1.87	11.0	14.74	1.00	—	

Data Sheet: H250 Series,1112; R250 Series, 1110

Fuse Holders and Blocks

Class H(K) and R fuse blocks – 250V

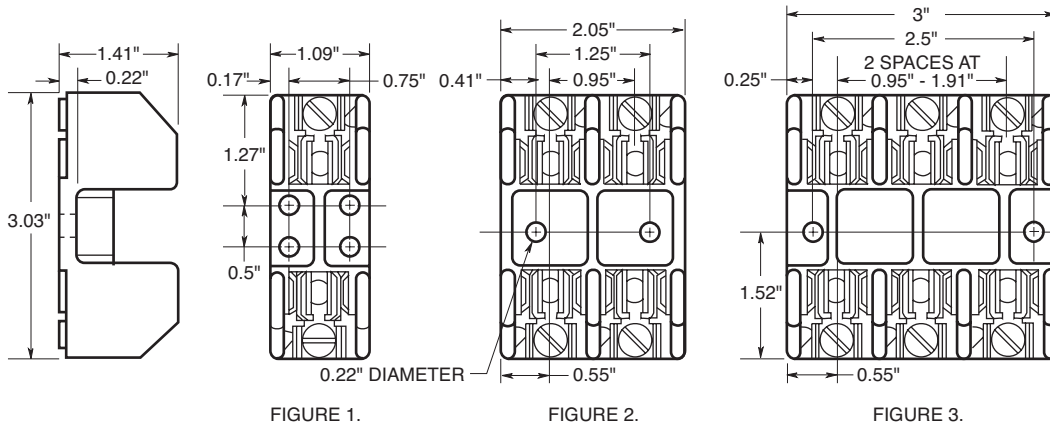
Catalog Numbers For Class R Fuse blocks (250V) Catalog Data (for LPN-RK, FRN-R, DLN-R and KTN-R Fuses)

Basic Catalog Number	Amps	Terminal Type (Suffix No.)						Fig. No.	Dimensions (in)										Wire Range
		Poles	Screw w/		Box Lug w/		Quick-Connect		A	B	C	D	E	F	G	H	J Dia. X C' Bore	K	
			—	Pres. Plate	—	Clip Cu Only													
R25030-1	1/10 to 30	1	SR	PR	CR	COR	QR*	1	(See Figures)										COR #6-14 CU ONLY CR #2-14 CU, #2-12 AL PR #10-18 CU ONLY QR N/A SR #10-18 CU ONLY
R25030-2		2	SR	PR	CR	COR	QR*	2											
R25030-3		3	SR	PR	CR	COR	QR*	3											
R25060-1	31	1	—	—	CR	COR	—	4	(See Figures)										COR #2-14 CU ONLY CR #2-14 CU, #2-8 AL
R25060-2	to	2	—	—	CR	COR	—	5	4.25	1.73	2.81	1.5	0.5	0.5	1.25	1.31	0.22 x 0.41	0.27	
R25060-3	60	3	—	—	CR	COR	—	6	(See Figures)										
R25100-1	61	1	—	—	CR	COR	—	7	(See Figures)										COR 1/0-8 CU ONLY CR 1/0-8 CU/AL
R25100-2	to	2	—	—	CR	COR	—	8											
R25100-3	100	3	—	—	CR	COR	—	9											
R25200-1	101	1	—	—	CR	—	—	10	7.125	3.15	3.0	2.06	0.5	2.0	3.0	0.75	—	0.31	CR 250kcmil-6 CU/AL
R25200-3	to	3	—	—	CR	—	—	11	(See Figure)										
200	200	—	—	—	—	—	—	—	(See Figure)										
R25400-1	201	1	—	—	CR†	COR‡	—	10	9.06	4.0	3.0	3.02	0.91	1.75	3.0	1.0	—	0.56	COR 500kcmil-4/0 ONLY CR 500kcmil-4 CU/ALCU
R25400-3	to	3	—	—	CR†	COR†	—	12	9.06	4.0	4.0	2.5	0.82	9.25	10.88	1.0	—	—	
400	400	—	—	—	—	—	—	—	(See Figure)										
R25600-1	401	1	—	—	CR	—	—	10	11.0	4.97	3.0	4.0	1.125	1.75	4.0	1.0	—	0.56	CR (2) 500kcmil-4/0 CU/AL
R25600-3	to	3	—	—	CR†	—	—	12	11.0	4.97	5.0	3.0	1.87	11.0	14.74	1.0	—	—	
600	600	—	—	—	—	—	—	—	(See Figure)										

*UL Recognized, No CSA Certification.
†No UL, No CSA Certification.
‡UL Recognized, CSA Certification

Fuse Holders & Blocks

Dimensions 250V 1/10A to 30A



Fuse Holders and Blocks

Class H(K) and R fuse blocks – 250V

250V, 31A to 60A

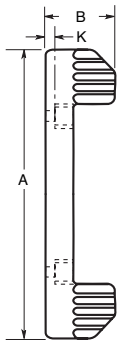


FIGURE 4.

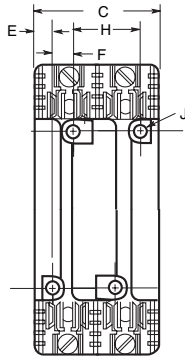
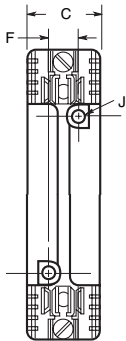


FIGURE 5.

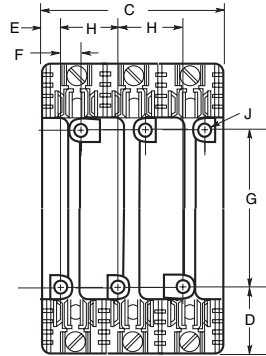


FIGURE 6.

250V, 61A to 100A

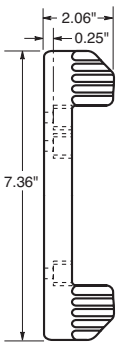


FIGURE 7.

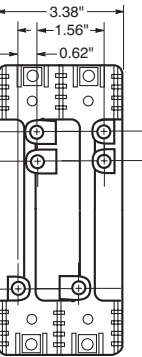
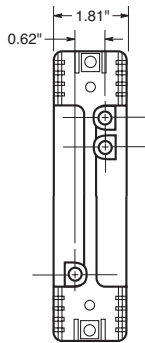


FIGURE 8.

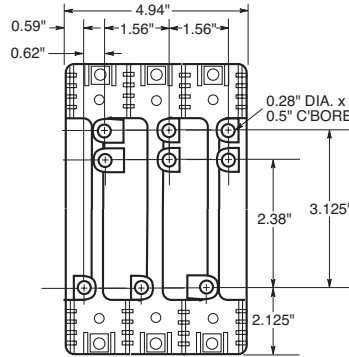


FIGURE 9.

250V, 101A to 600A

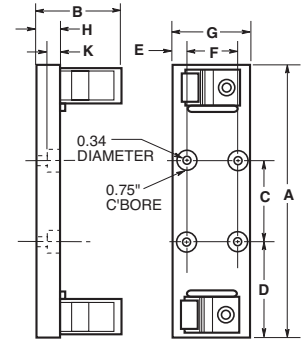


FIGURE 10.

250V, 101A to 200A

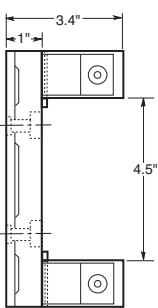
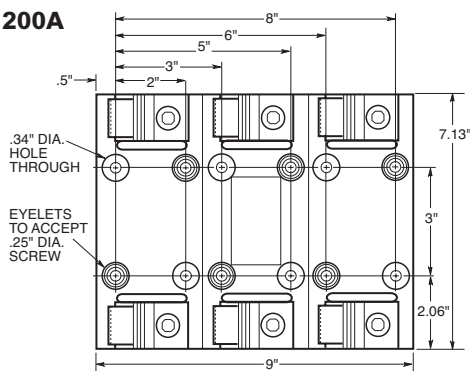


FIGURE 11.



250V, 201A to 600A

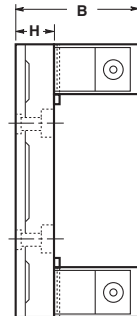
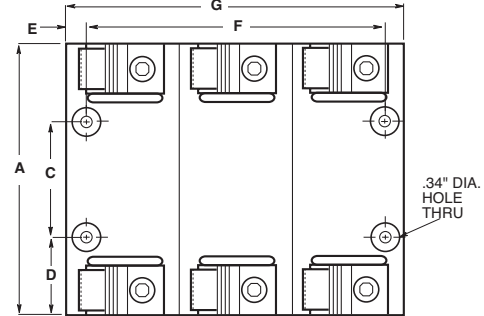


FIGURE 12.



Fuse Holders and Blocks

Class H(K) and R fuse blocks – 600V

H600 & R600 Series

Specifications

Descriptions:

H600 Series: fuse blocks for use with 1-, 2- and 3-pole Class H fuses.

R600 Series: fuse blocks for use with 1-, 2- and 3-pole Class R fuses (Cooper Bussmann LPS-RK, FRS-R, DLS-R and KTS-R fuses).

Dimensions: See Dimensions illustrations.

Construction: Thermoplastic.

Ratings:

Volts: — 600V (H600 & R600 Series)

Amps: — 1/0-600A

SCCR: — H600 Series; 10,000A RMS Sym.

— R600 Series; 200,000A RMS Sym.

Agency Information: CE, UL Listed UL512, Guide IZLT, File E14853; CSA Certified, Class 6225-01, File 47235.

Flammability Rating: UL 94V0.



H60030-3C



H60030-2PR

Features and Benefits

- H600 fuse blocks provide one, two and three pole housing for Class H, K and R fuses at 600Vac.
- H600 fuse blocks are listed with a Short-Circuit Current Rating of 10,000A RMS Sym.
- R600 fuse blocks provide one, two and three pole housing for Class R fuses at 600Vac.
- R600 fuse blocks are listed with a Short-Circuit Current Rating of 200,000A RMS Sym.

Typical Applications

- 600 Volt or less Control Systems
- 600 Volt or less Industrial Control
- 600 Volt or less Individual Control Circuits

Specifications For Class H Fuse blocks (600V) Catalog Data(for NOS and RES Fuses)

Basic Catalog Numbers	Amps	Poles	Terminal Type (Suffix No.)										Wire Range
			Screw					Box Lug w/					
			I	Clips w/ Rein. Spring	Pres. Plt.	Pres.Plit. & Clip w/ Rein. Spring	I	Clips w/ Rein. Spring	Clips w/ Rein. Spring CU Only	CU Only	0.25" Qck. Con.		
H60030-1	1/0-30	1	S	SR	P	PR	C	CR	COR	CO	Q	C, CR #2-14 CU, #2-12 AL CO, COR #6-14 CU ONLY P, PR, S, SR #10-18 CU ONLY	
H60030-2		2	S	SR	P	PR	C	CR	COR	CO	Q		
H60030-3		3	S	SR	P	PR	C	CR	COR	CO	Q		
H60060-1	31-6	1	—	—	—	—	C	CR	COR	CO	—	C, CR #2-14 CU, #2-8 AL CO, COR #4-14 CU ONLY	
H60060-2		2	—	—	—	—	C	CR	COR	CO	—		
H60060-3		3	—	—	—	—	C	CR	COR	CO	—		
H60100-1	61-10	1	—	SR†	—	—	—	CR	COR	—	—	COR #1/0-8 CU ONLY CR #1/0-8 CU/AL SR #8W/ Ring Terminal	
H60100-2		2	—	SR†	—	—	—	CR	COR	—	—		
H60100-3		3	—	SR†	—	—	—	CR	COR	—	—		
H60200-1	101-200	1	—	—	—	—	—	CR	—	—	—	CR 250kcmil-6 CU/AL	
H60200-3		3	—	—	—	—	—	CR	—	—	—		
H60400-1	201-400	1	—	—	—	—	—	CR†	COR†	—	—	COR 500kcmil-4/0 CU Only CR 500kcmil-4 CU/AL	
H60400-3		3	—	—	—	—	—	CR†	—	—	—		
H60600-1	401-600	1	—	—	—	—	—	CR	—	—	—	CR 500kcmil-4/0 CU/AL	
H60600-3		3	—	—	—	—	—	CR†	—	—	—		

† UL Recognized, CSA Certification.

‡ No UL, No CSA Certification.

Dimensions For Class H Fuse blocks (600V) Catalog Data (for NOS and RES Fuses)

Basic Catalog Numbers	Fig. No.	Dimensions (in) — See next page for figures.									J Dia. X C' Bore	K									
		A	B	C	D	E	F	G	H												
H60030-1	1			1.54	1.56	0.25	0.62	3.13	1.56	0.28 x 0.5	0.26										
H60030-2	2	6.25	1.73	2.90																	
H60030-3	3			4.25																	
H60060-1	4	(See Figures)																			
H60060-2	5	(See Figures)																			
H60060-3	6	(See Figures)																			
H60100-1	1			2.22	2.63	0.67	0.88	4.25	1.81	0.28 x 0.5	0.34										
H60100-2	2	9.5	2.38	4.03																	
H60100-3	3			5.84																	
H60200-1	7	9.63	3.09	3.0	3.31	0.5	2.0	3.0	0.75	—	0.31										
H60200-3	8	(See Figures)																			
H60400-1	7	12.0	4.0	3.0	4.5	0.63	1.75	3.0	1.0	—	0.56										
H60400-3	9											(See Figures)									
H60600-1	7											14.0	4.97	3.0	5.5	1.125	1.75	4.0	1.0	—	
H60600-3	10	(See Figures)																			

Data Sheet: H600 Series, 1113; R600 Series, 1111

Fuse Holders and Blocks

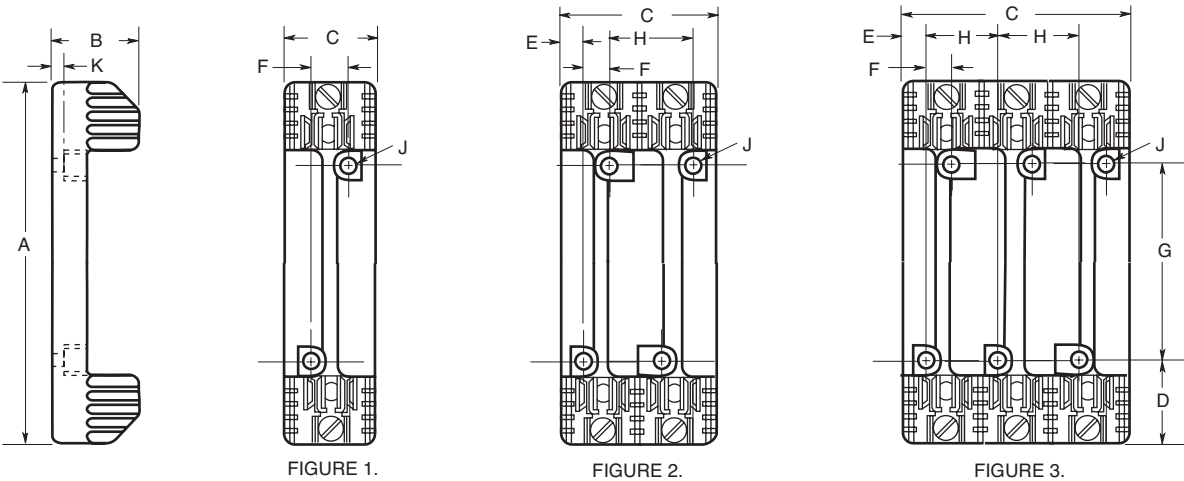
Class H(K) and R fuse blocks – 600V

Catalog Numbers For Class R Fuse blocks (600V) Catalog Data (for LPS-RK, FRS-R, DLS-R and KTS-R Fuses)

Catalog Numbers	Amps	Poles	Terminal Type (Suffix No.)				Fig. No.	Dimensions(in)										Wire Range
			Screw w/	Pres. Plate	Clip CU Only	Quick-Connect		A	B	C	D	E	F	G	H	J Dia.x C' Bore	K	
R60030-1	30	1	SR	PR	CR	COR	1	6.25	2.38	1.54	1.56	0.25	0.62	3.13	1.56	0.28 x 0.5	0.26	COR #6-14 CU Only CR #2-14 CU, #2-12 AL PR, SR #10-18 CU Only
R60030-2	to	2	SR	PR	CR	COR	2			2.90								
R60030-3	30	3	SR	PR	CR	COR	3			4.25								
R60060-1	60	1	—	—	CR	COR	4	(See Figures)										COR #2-14 CU Only CR #2-14 CU, #2-8 AL
R60060-2	to	2	—	—	CR	COR	5											
R60060-3	60	3	—	—	CR	COR	6											
R60100-1	100	1	—	—	CR	COR	7	9.5	2.38	2.22	2.63	0.67	0.88	4.25	1.81	0.28 x 0.5	0.34	COR 1/0 -8 CU Only CR, CRQ 1/0-8 CU/AL
R60100-2	to	2	—	—	CR	COR	2			4.03								
R60100-3	100	3	—	—	CR	COR	3			5.84								
R60200-1	200	1	—	—	CR	—	7	9.63	3.09	3.0	3.31	0.5	2.0	3.0	0.75	—	0.31	CR, CRQ 250kcmil-6 CU/AL
R60200-3	to	3	—	—	CR	—	8	(See Figures)										
R60400-1	400	1	—	—	CR†	COR‡	7	12.0	4.0	3.0	4.5	0.63	1.75	3.0	1.0	—	0.56	
R60400-3	to	3	—	—	CR†	—	9	(See Figures)										COR 500kcmil-4/0 CU Only CR 500kcmil-4 CU/AL
R60600-1	600	1	—	—	CR	—	7	14.0	4.97	3.0	5.5	1.125	1.75	4.0	1.0	—	0.56	
R60600-3	to	3	—	—	CR†	—	10	(See Figures)										

†No UL, No CSA Certification.
‡UL Recognized, CSA Certification

Dimensions — 600V, 1/2A- 30A and 61A - 100A



Class H(K) and R fuse blocks – 600V

Dimensions

600V, 31A to 60A

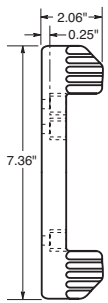


FIGURE 4.

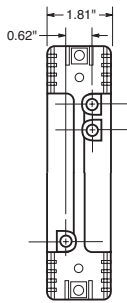


FIGURE 5.

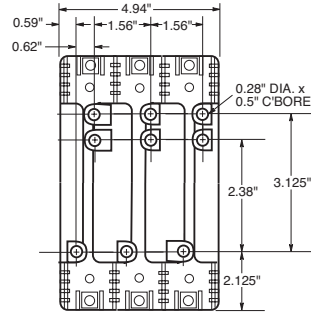
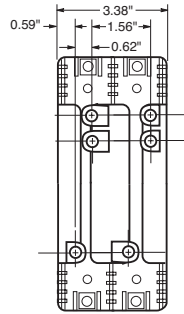


FIGURE 6.

600V, 101A to 600A

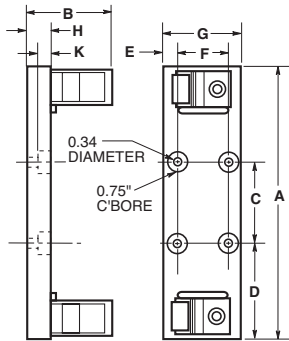


FIGURE 7.

600V, 101A to 200A

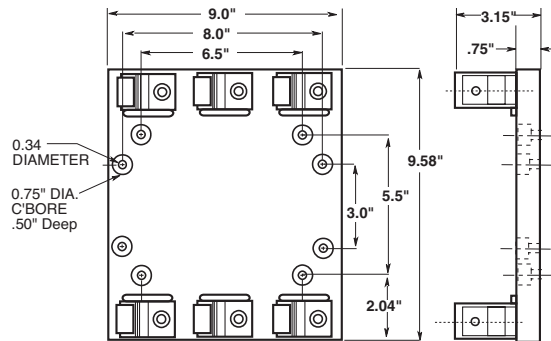


FIGURE 8.

600V, 201A to 400A

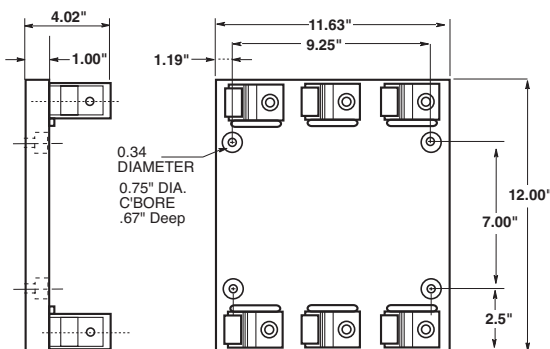


FIGURE 9.

600V, 401A to 600A

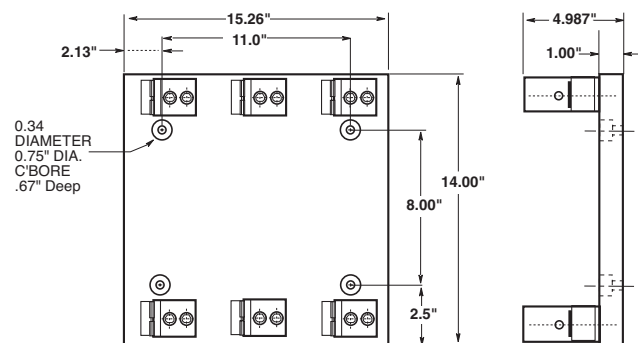


FIGURE 10.

Fuse Holders & Blocks

Fuse Holders and Blocks

Class J fuse blocks

J600 Series

Specifications

Description: 1-, 2- or 3-pole fuse blocks for use with Class J fuses (Cooper Bussmann® LPJ and JKS).

Dimensions: See Dimensions illustrations.

Construction: Thermoplastic.

Poles: 1 to 3

Ratings:

Volts: — 600V

Amps: — ½-600A

SCCR: — 200,000A RMS Sym.

Agency Information: CE, UL Listed, UL 512, Guide IZLT, File E14853, CSA Certified, C22.2 No. 39, Class 6225-01, File 47235.

Flammability Rating: UL 94V0.



Features and Benefits

- J600 fuse blocks provide one, two and three pole housing for Class J fuses at 600Vac.
- J600 fuse blocks are listed with a Short-Circuit Current Rating of 200,000A RMS Sym.

Typical Applications

- 600 Volt or less Control Systems
- 600 Volt or less Industrial Control
- 600 Volt or less Individual Control Circuits

Catalog Numbers

Catalog Numbers							
Screw†	Pressure Plate†	Box Lug	Box Lug w/ Retaining Clip	Amps	Poles	Fig. No.	Wire Range
J60030-1S(2)	J60030-1P	J60030-1C	J60030-1CR††	½-30	1	1	C, CR #2-14 CU, #2-8 AL
J60030-2S(2)	J60030-2P	J60030-2C	J60030-2CR††		2	2	COR #2-14 CU Only
J60030-3S(2)	J60030-3P	J60030-3C	J60030-3CR††		3	3	P, PR, S, SR #10-14 CU Only
—	—	J60060-1C	J60060-1CR††	31-60	1	1	C, CR, #2-14 CU/AL
—	—	J60060-2C	J60060-2CR††		2	2	COR #4-14 CU Only
—	—	J60060-3C	J60060-3CR††		3	3	
—	—	—	J60100-1CR	61-100	1	4	COR 1/0-8 CU ONLY
—	—	—	J60100-3CR††		3	5	CR, CRQ 1/0-8 CU/AL
—	—	—	J60200-1CR	101-200	1	6	CR 250kcmil-6 CU/AL
—	—	—	J60200-3CR		3	7	
—	—	—	J60400-1CR(3)	201-400	1	8	CR 500kcmil -4 CU/AL
—	—	—	J60400-3CR(3)		3	9	
—	—	—	J60600-1CR	401-600	1	10	CR (2) 500kcmil-4/0 CU/AL
—	—	—	J60600-3CR(2)		3	11	

†Clip reinforcing springs are standard on fuse blocks rated 100A and above. Available on 30A and 60A blocks by adding the letter "R" to the end of the part number.

††Copper only connections available by changing "CR" suffix to "COR".

(2)No UL, No CSA Certification

(3)UL Recognized, CSA Certification

Dimensions (±0.015)

½ - 60A

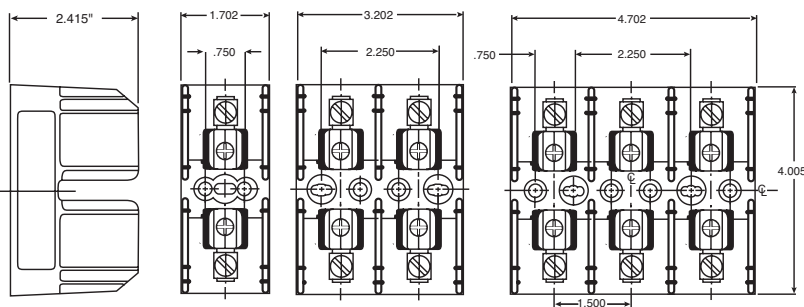


FIGURE 1.

FIGURE 2.

FIGURE 3.

61-100A

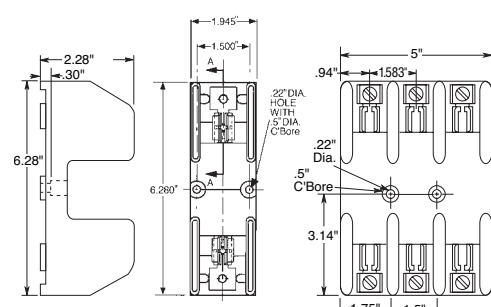


FIGURE 4.

FIGURE 5.

Data Sheet: 1114

Class J fuse blocks

101-200A

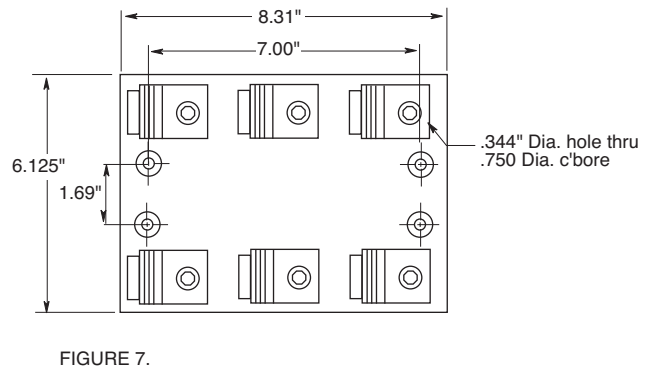
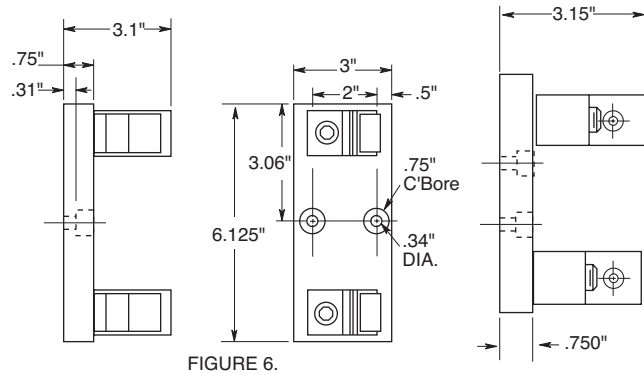


FIGURE 6.

FIGURE 7.

201-400A

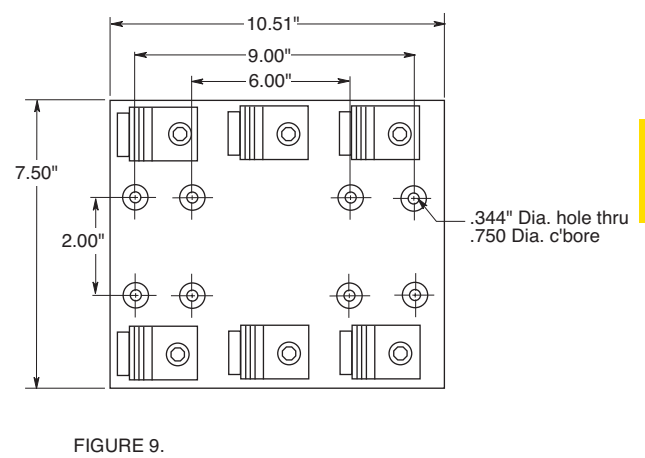
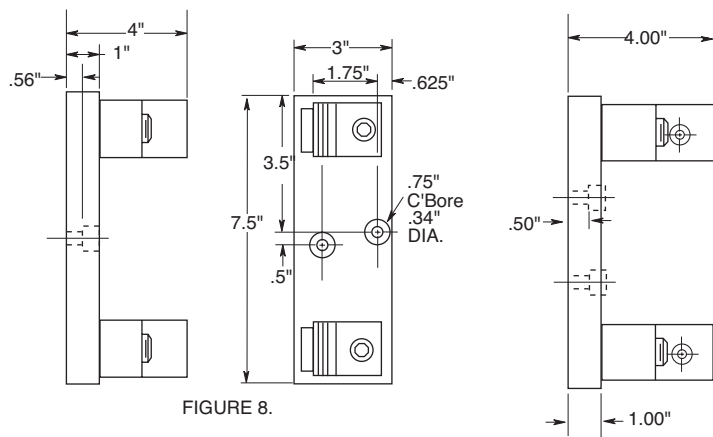


FIGURE 8.

FIGURE 9.

401-600A

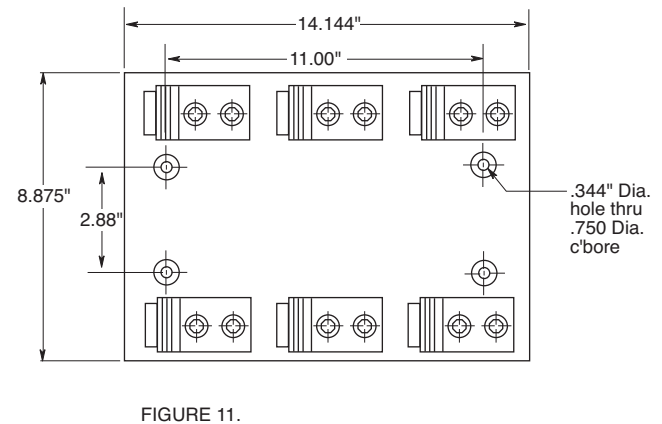
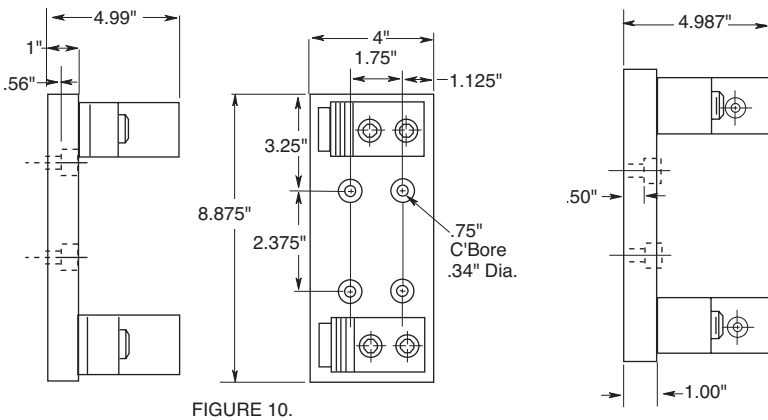


FIGURE 10.

FIGURE 11.

Fuse Holders & Blocks

Fuse Holders and Blocks

Class J fuse blocks

JP Series

Specifications

Description: Pyramid style 3-pole fuse block for use with Class J fuses (Cooper Bussmann® LPJ, DFJ, JKS).

Dimensions: See Dimensions illustrations.

Construction: Thermoplastic, clips with reinforcing springs.

Ratings:

Volts: — 600V

Amps: — 0-30A

SCCR: — 200,000A RMS Sym.

Agency Information: CE, UL Listed, U.L. 512, Guide IZLT, File E14853, CSA Certified, C22.2 No. 39, Class 4225-04, File 47235.

Flammability Rating: UL 94V0.

Mounting: Panel or 35mm DIN-rail mount.

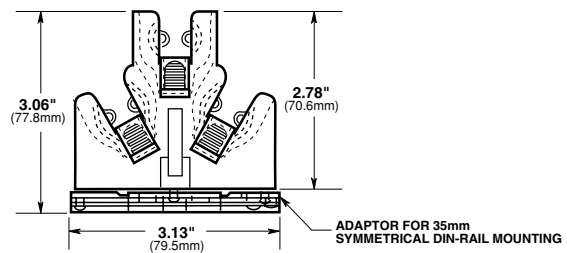
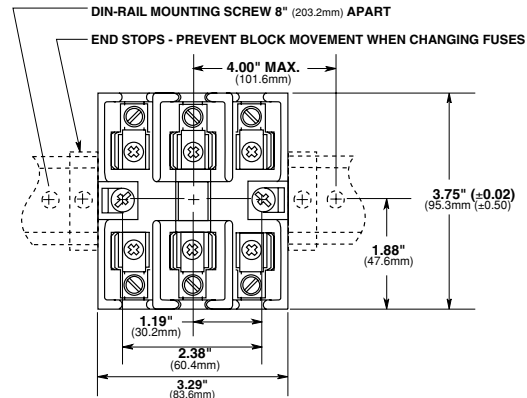
Catalog Numbers

Catalog Numbers	Panel	Mounting		Box		
		With DIN Rail Adapter*	Screws with Pressure Plate	Aluminum	Copper Only	Wire Range
JP60030-3PR	X		X			#10-14 CU Only
JP60030-3CR	X			X		#2-14 CU/AL
JP60030-3COR	X				X	#2-14 CU Only
JP60030-3PRA		X	X			#10-14 CU Only
JP60030-3CRA		X		X		#2-14 CU/AL
JP60030-CORA		X			X	#2-14 CU Only

*Adapter Only for DIN-Rail - Cat No. JPA-3.

Data Sheet:1108

Dimensions ± 0.015" (± 0.40mm)



JA60030 Add-a-pole

Specifications

Description: Adder fuse block to achieve number of poles desired, for use with Class J fuses (Cooper Bussmann® LPJ, DFJ & JKS).

Dimensions: See Dimensions illustrations.

Construction: Thermoplastic.

Ratings:

Volts: — 600Vac or dc

Amps: — 0-30A

SCCR: — 200,000A RMS Sym.

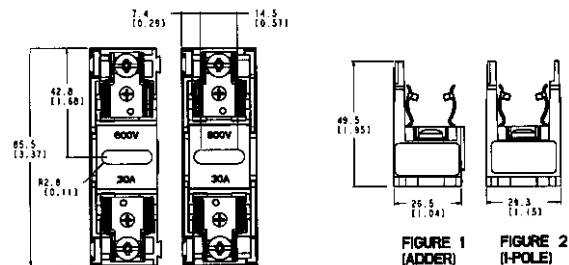
Agency Information: UL Listed, UL 512, Guide IZLT, File E14853, CSA Certified, C22.2 No. 39, Class 6225-01, File 47235.

Flammability Rating: UL 94V0.

Mounting: Panel or 35mm DIN-rail mount.

Features: Panel and DIN-rail mount, adder block, retaining clip

Data Sheet:1050



Amps	Poles	Screw	Screw w/Retaining Clip	Pressure Plate	Pressure Plate w/Retaining Clip	Box Lug	Box Lug w/Retaining Clip	Wire Range (CU ONLY)
½ - 30	ADDER	JA60030-AS	JA60030-ASR	JA60030-AP	JA60030-APR	JA60030-AC	JA60030-ACR	S, SR, P, PR 10 - 18 AWG C, CR, 10 - 14 AWG
	1	JA60030-1S	JA60030-1SR	JA60030-1P	JA60030-1PR	JA60030-1C	JA60030-1CR	
	2	JA60030-2S	JA60030-2SR	JA60030-2P	JA60030-2PR	JA60030-2C	JA60030-2CR	
	3	JA60030-3S	JA60030-3SR	JA60030-3P	JA60030-3PR	JA60030-3C	JA60030-3CR	

Fuse Holders and Blocks

Class T fuse blocks – 300V

T300

Specifications

Description: T300 (300V) fuse blocks for use with Class T fuses (Cooper Bussmann® JJN).

Dimensions: See Dimensions illustrations.

Construction: Glass polyester, phenolic on 600A, UL.

Poles: 1 to 4

Ratings:

Volts: — 300V

Amps: — ½ - 600A

SCCR: — 200,000A RMS Sym.

Agency Information: CE, UL Listed UL512, Guide IZLT, File E14853, CSA Certified, Class 6225-01, File 47235.

Flammability Rating: UL 94V0.

Features and Benefits

- Provide 1-, 2- and 3-pole housing for 300Vac Class T fuses.
- Short-Circuit Current Rating of 200,000A RMS Sym.
- Class T fuse blocks have a small foot print, providing substantial space savings in equipment

Typical Applications

- 300V or less Control Systems
- 300V or less Individual Control Circuits

Catalog Numbers

Catalog Numbers					
Screw	Box Lug	Amps	Poles	Fig. No.	Wire Range
T30030-2SR	T30030-2CR	½-30	2	1	SR #10-18 CU CR #6-14 CU/AL
T30030-3SR	T30030-3CR		3		
T30030-4SR	T30030-4CR		4		
T30060-2SR	T30060-2CR	31-60	2	2	CR #2-14 CU/AL SR #10-18 CU Only
T30060-3SR	T30060-3CR		3		
T30060-4SR	T30060-4CR		4		
—	T30100-1CR	61-100	1	2	1/0-8 CU/AL
—	T30100-2CR		2		
—	T30100-3CR		3		
—	T30200-1C	101-200	1	3	250kcmil-6 CU/AL
—	T30200-3C		3	4	
—	T30400-1C	201-400	1	5	600kcmil-2/0 CU/AL
—	T30600-1C	401-600	1	6	(2) 600kcmil-4/0 CU/AL



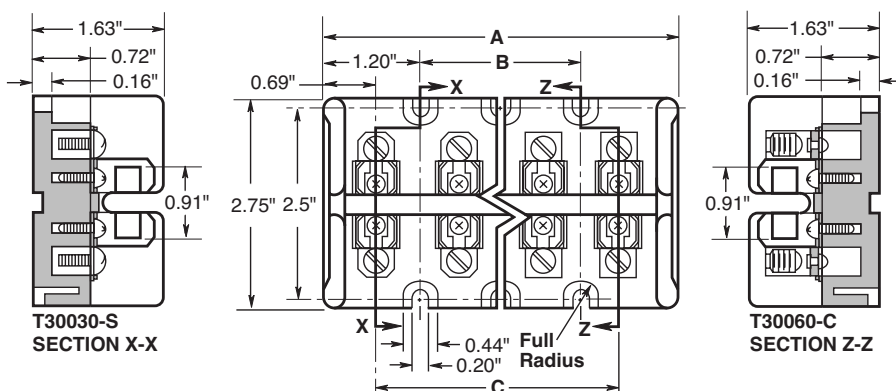
Class T Fuse blocks (300V) Catalog Numbers

Catalog Numbers	Dimensions (in)		
	A	B	C
T30030-2	2.41	—	1.03
T30060-2	2.41	—	1.03
T30030-3	3.44	1.03	2.06
T30060-3	3.44	1.03	2.06
T30030-4	4.47	2.06	3.09
T30060-4	4.47	2.06	3.09

Fuse Holders & Blocks

Dimensions

Figure 1. ½-60A



Data Sheet: 1115

Fuse Holders and Blocks

Class T fuse blocks – 300V

Figure 2. 61 to 100A

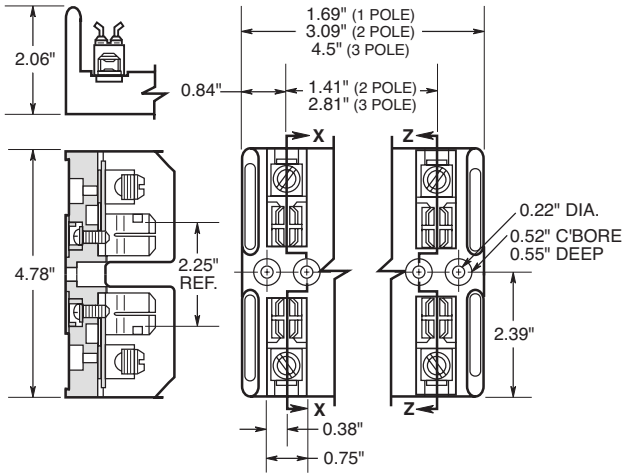


Figure 3. 101 to 200A

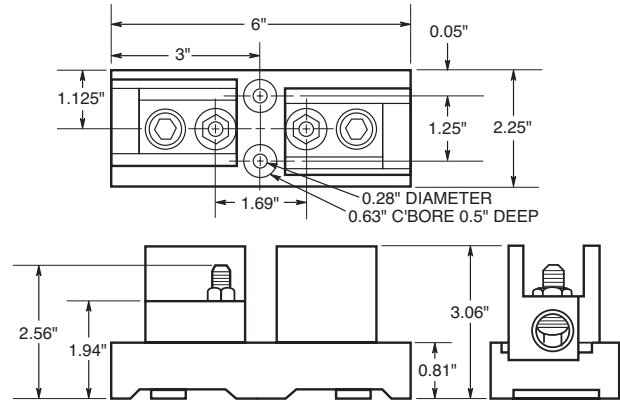


Figure 4. 200A

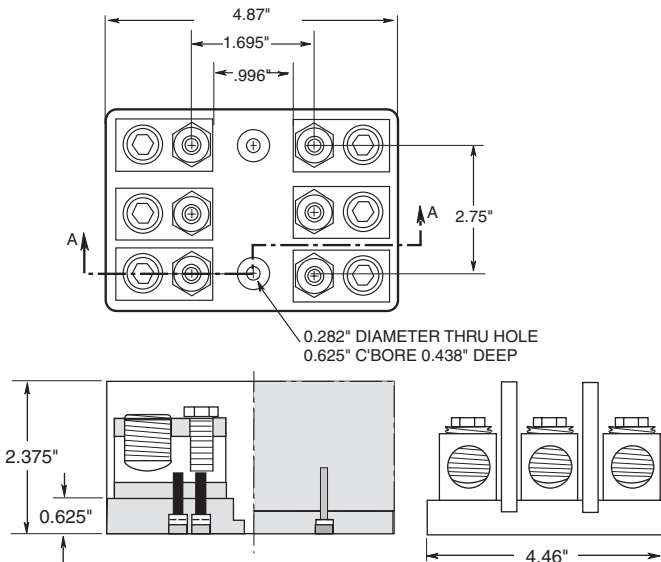


Figure 5. 201 to 400A

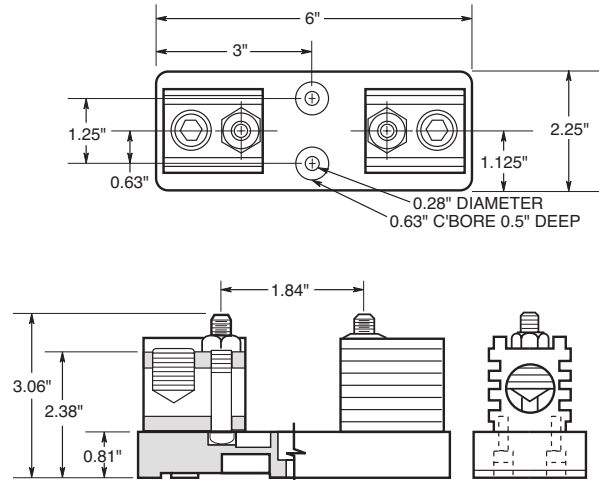
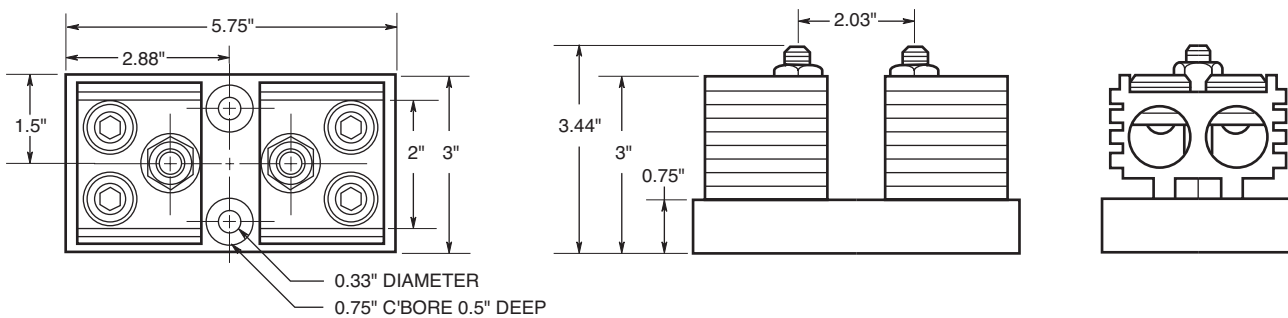


Figure 6. 401 to 600A



Fuse Holders and Blocks

Class T fuse blocks – 600V

T600

Specifications

Description: T600 (600V) fuse blocks for use with Class T fuses (Cooper Bussmann® JJS).

Dimensions: See Dimensions illustrations.

Construction: Glass polyester, phenolic on 600A.

Poles: 1 to 3

Ratings:

Volts: — 600V

Amps: — ½ - 600A

SCCR: — 200,000A RMS Sym.

Agency Information: CE, UL Listed UL512, Guide IZLT, File E14853, CSA Certified, Class 6225-01, File 47235.

Flammability Rating: UL 94V0.

Features and Benefits

- Provide 1-, 2- and 3-pole housing for 600Vac Class T fuses.
- Short Circuit Current Rating of 200,000A RMS Sym.
- Class T fuse blocks have a small foot print, providing substantial space savings in equipment

Typical Applications

- 600V or less Control Systems
- 600V or less Individual Control Circuits



T60600-1C



T30030-2CR

Catalog Numbers

Catalog Numbers					
Screw	Box Lug	Amps	Fig. Poles	No.	Wire Range
T60030-1SR	T60030-1CR	½-30	1	1	SR #10-18 CU CR #2-14 CU/AL
T60030-2SR	T60030-2CR		2		
T60030-3SR	T60030-3CR		3		
T60060-1SR	T60060-1CR	31-60	1	2	CR #2-14 CU/AL SR #10-18 CU Only
T60060-2SR	T60060-2CR		2		
T60060-3SR	T60060-3CR		3		
—	T60100-1C	61-100	1	3	2/0-14 CU/AL
—	T60100-2C		2		
—	T60100-3C		3		
—	T60200-1C	101-200	1	4	250kcmil-6 CU/AL
—	1B0089*		3		
—	T60400-1C	201-400	1	5	600kcmil-2/0 CU/AL
—	T60600-1C	401-600	1	6	(2) 600kcmil-4/0 CU/AL

* UL Listed, Guide IZLT, File E14853, CSA Certified Class 6225-01, File 21455M18

Fuse Holders & Blocks

Dimensions

Figure 1. ½ to 30A

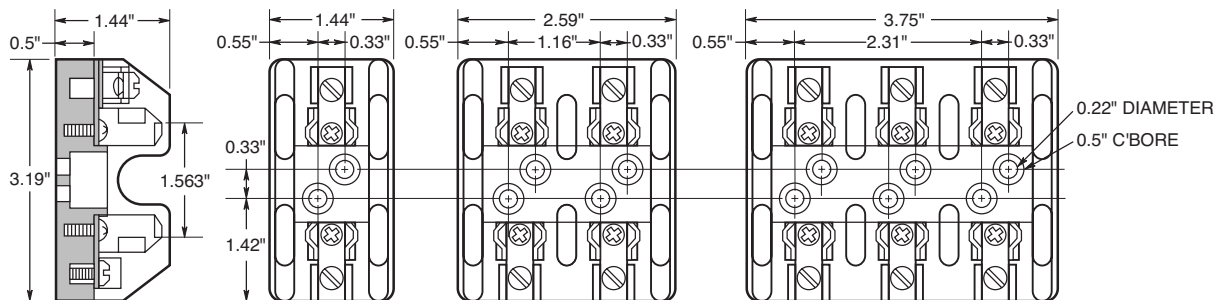
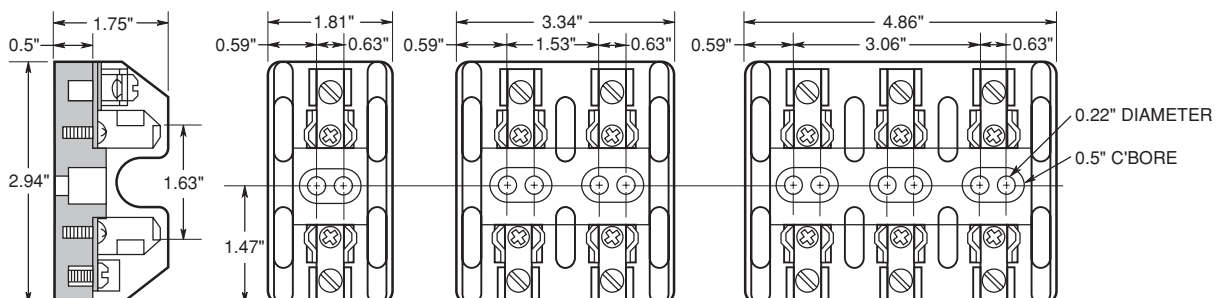


Figure 2. 31 to 60A



Data Sheet: 1116

Fuse Holders and Blocks

Class T fuse blocks – 600V

Figure 3. 61 to 100A

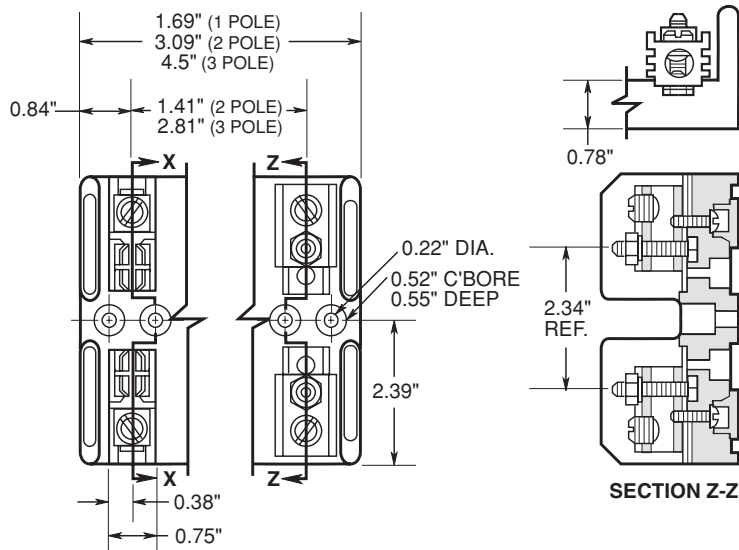


Figure 4. 101 to 200A

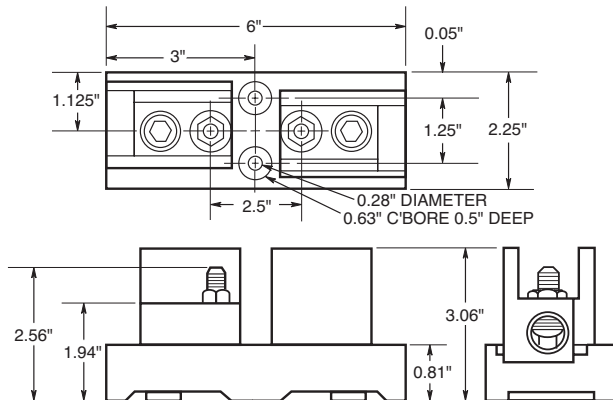


Figure 5. 201 to 400A

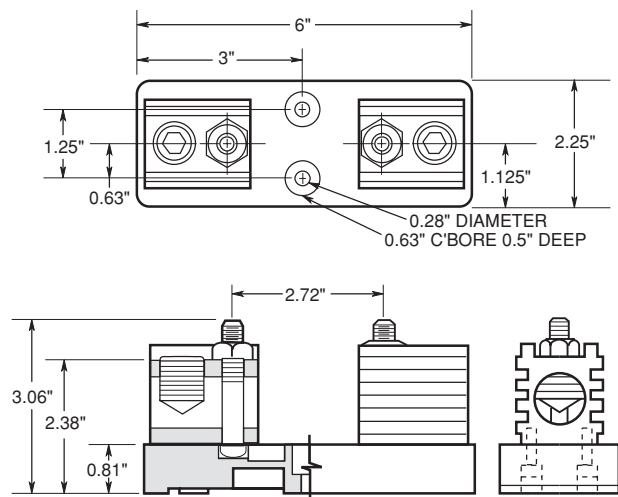
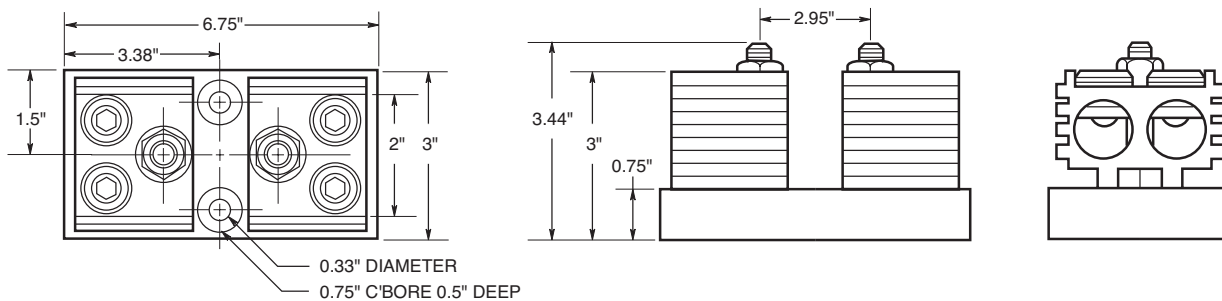


Figure 6. 401 to 600A



Add-a-pole fuse blocks

BCA Series - Class CC fuses BMA Series - 1½" X 1½" fuses

Specifications

Description: 1-, 2 and 3-pole fuse blocks for use with Class CC fuses (BCA Series use Cooper Bussmann® LP-CC, KTK-R, and FNQ-R), or with standard 1½" x 1½" fuses (BMA Series use Cooper Bussmann® KTK, FNQ, FNM, BAF, BAN and AGU) Both Series use an "adder block" to form multi-pole segmented blocks to achieve the desired number of poles.

Dimensions: See Dimensions illustration.

Construction: Thermoplastic base with bright tin-plated bronze clips.

Poles: 1 to 3.

Wire Range: #10-#18 CU only.

Terminals: Screw/quick connect* or pressure plate/quick connect*.

Ratings:

Volts: — 600V

Amps: — ¼0-30A

SCCR: — BCA Series:
200,000A RMS Sym.
BMA Series:
10,000A RMS Sym.

Agency Information:

BCA Series: CE, UL Listed, UL 512, Guide IZLT, File E14853. CSA Certified, C22.2 No. 39, Class 6225-01, File 47235.

BMA Series: CE, UL Recognized, UL 512, Guide IZLT2, File E14853. CSA Certified, C22.2 No. 39, Class 6225-01, File 47235.

Flammability Rating: UL 94VO

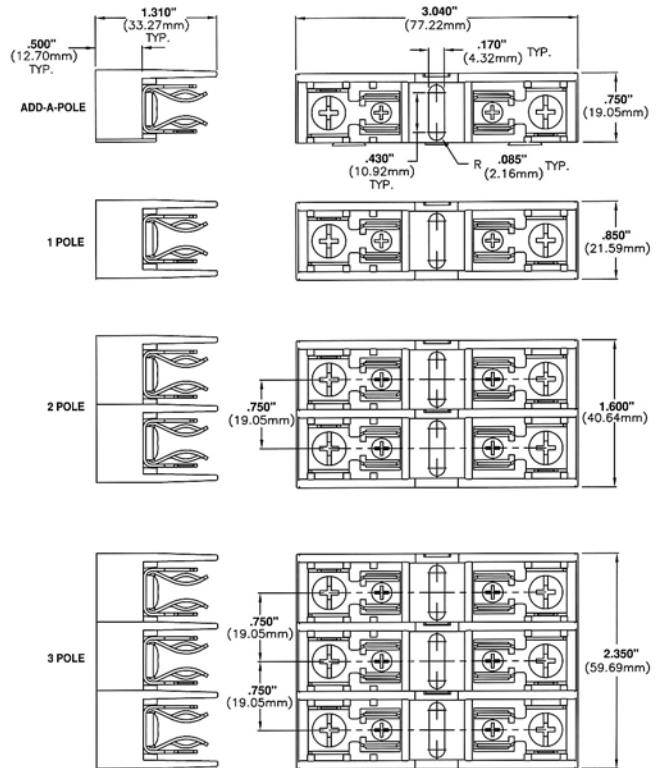
*Quick connect rated for 20A maximum.

Catalog Numbers

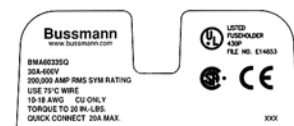
BCA Series

Catalog Numbers	Poles	Terminal Type
BCA603ASQ	Adder Block	Screw w/ quick connect
BCA6031SQ	1	Screw w/ quick connect
BCA6032SQ	2	Screw w/ quick connect
BCA6033SQ	3	Screw w/ quick connect
BCA603APQ	Adder Block	Pressure plate w/ quick connect
BCA6031PQ	1	Pressure plate w/ quick connect
BCA6032PQ	2	Pressure plate w/ quick connect
BCA6033PQ	3	Pressure plate w/ quick connect

Dimensions in ± 0.015" (mm 0.38mm)



FUSEBLOCK MARKING (EXAMPLE SHOWN)



BMA Series

Catalog Numbers	Poles	Terminal Type
BMA603ASQ	Adder Block	Screw w/ quick connect
BMA6031SQ	1	Screw w/ quick connect
BMA6032SQ	2	Screw w/ quick connect
BMA6033SQ	3	Screw w/ quick connect
BMA603APQ	Adder Block	Pressure plate w/ quick connect
BMA6031PQ	1	Pressure plate w/ quick connect
BMA6032PQ	2	Pressure plate w/ quick connect
BMA6033PQ	3	Pressure plate w/ quick connect

Data Sheets: BCA Series 1154, BMA Series 1155

Fuse Holders and Blocks

Class CC, Type M and Class G fuse blocks

BC Series



Specifications

Description: Class CC fuse blocks for use with Class CC fuses (Cooper Bussmann LP-CC, KTK-R, and FNQ-R).

Dimensions: See Data Sheet 1105 (available on the web at www.cooperbussmann.com).

Construction: Thermoplastic base.

Poles: 1 to 3

Ratings:

Volts: — 600V

Amps: — 1/0-30A

SCCR:— 200,000A RMS Sym.

Agency Information: CE, UL Listed (Guide IZLT, File E14853), CSA (Class 6225-01, File 47235)

Flammability Rating: UL 94V0

DIN Rail Adapters: See page 358 for DRA-1 & DRA-2

Catalog Numbers

Catalog Numbers					
Terminal Type					
Screw	Screw with Quick Connect*	Pressure Plate	Pressure Plate w/ Quick Connect*	Box Lug	Poles
BC6031S	BC6031SQ	BC6031P	BC6031PQ	BC6031B	1
BC6032S	BC6032SQ	BC6032P	BC6032PQ	BC6032B	2
BC6033S	BC6033SQ	BC6033P	BC6033PQ	BC6033B	3

Data Sheet: 1105

BCCM Series

Specifications

(See Data Sheet 1106 for details)

Description: 3-pole fuse block for use with (2) Class CC fuses and (1) 1³/₂" x 1¹/₂" fuse

Catalog Numbers

Catalog Numbers	Terminal Type
BCCM6033SQ	Screw with Quick-Connect*
BCCM6033PQ	Pressure Plate w/Quick-Connect*

*Quick-connect terminal rated for 20A max.

Data Sheet: 1105

BM Series Type M



Specifications

Description: Supplementary fuse blocks for use with any 1³/₂" x 1¹/₂" fuses (Cooper Bussmann® KTK, FNQ, FNM, BAF, BAN, and AGU).

Dimensions: See Data Sheet 1104 (available on the web at www.cooperbussmann.com).

Construction: Thermoplastic base.

Poles: 1 to 3

DIN Rail Adapters: See page 358 for DRA-1 & DRA-2

Ratings:

Volts: — 600V

Amps: — 1/0-30A

SCCR:— 10,000A RMS Sym.

Agency Information: CE, UL Recognized (Guide IZLT2, File E14853), CSA (Class 6225-01, File 47235).

Flammability Rating: UL 94V0.

Catalog Numbers

Catalog Numbers				
Terminal Type				
Screw with Quick Connect*	Pressure Plate w/ Quick Connect*	Box Lug	Poles	
BM6031SQ	BM6031PQ	BM6031B	1	
BM6032SQ	BM6032PQ	BM6032B	2	
BM6033SQ	BM6033PQ	BM6033B	3	

Data Sheet: 1104

BG & G Series



Specifications

Description: Class G fuse blocks for use with Class G fuses (Cooper Bussmann SC).

Dimensions: See Data Sheet 1106 (available on the web at www.cooperbussmann.com).

Construction: 0-30A thermoplastic base, 35-60A phenolic base.

Poles: 1 to 3

Ratings:

Volts: — 600V (0-20A)

— 480V (25-60A)

Amps: — 1-60A (See Catalog Numbers table)

SCCR: — 100,000A RMS Sym.

Agency Information: CE, UL Listed 35-60A (Guide IZLT, File E14853), UL Recognized 1-30A, (Guide IZLT2, File E14853), CSA (Class 6225-01, File 47235).

DIN Rail Adapters: See page 358 for DRA-1 & DRA-2.

Catalog Numbers

Catalog Numbers						
Terminal Type						
Screw with Quick Connect*	Pressure Plate w/ Quick Connect*	Box Lug	Box Lug w/retaining clip	Amps	Poles	
BG3011SQ	BG3011PQ	BG3011B	—	1-15	1	
BG3012SQ	BG3012PQ	BG3012B	—		2	
BG3013SQ	BG3013PQ	BG3013B	—		3	
BG3021SQ	BG3021PQ	BG3021B	—	20	1	
BG3022SQ	BG3022PQ	BG3022B	—		2	
BG3023SQ	BG3023PQ	BG3023B	—		3	
BG3031S	BG3031P	BG3031B	—	25-30	1	
BG3032S	BG3032P	BG3032B	—		2	
BG3033S	BG3033P	BG3033B	—		3	
—	—	—	G30060-1CR	35-60	1	
—	—	—	G30060-2CR		2	
—	—	—	G30060-3CR		3	

Data Sheet: 1106

Modular fuse blocks

BH Series



Specifications

Description: For use with Cooper Bussmann® semiconductor fuses.

Construction: Light weight, high temperature thermoplastic base with spring steel washer, and plated steel mounting studs and nuts.

Ratings:

SCCR: — 200,000A RMS Sym. or fuse IR, whichever is lower.

Agency Information: CE, UL Recognized, Guide EZLT2, File No. E14853 up to 700V, CSA Certified, Class 6225-01, File No. 47235 up to 700V.

BH Series Features and Benefits

- BH fuse blocks provide a wide range of mounting configurations for Cooper Bussmann® High Speed (Semi-conductor) fuses.
- BH fuse blocks have a Short Circuit Current Rating of any installed fuse up to 200,000A RMS Sym.

Typical Applications

- Solid State Control Circuits
- VFDs
- UPS Systems

Catalog Numbers

BH-0001	BH-0122	BH-2001	BH-3004
BH-0002	BH-1001	BH-2002	BH-3033
BH-0003	BH-1002	BH-2003	BH-3144
BH-0111	BH-1003	BH-2031	BH-3145
BH-0112	BH-1131	BH-2032	
BH-0113	BH-1132	BH-2033	
BH-0121	BH-1133	BH-3003	

Refer to the data sheet numbers below for the catalog code description information.

Data Sheet: (BH-0) 1200; (BH-1) 1201; (BH-2) 1202; (BH-3) 1203

Modular Type Fuse blocks for Class H & J Fuses



Specifications

Description: 3-Pole only, modular type fuse blocks for Class H & J fuses with standard reinforced retaining clips.

Ratings:

- Volts: — 250V (0-60A See Catalog Numbers table)
- 600V (35-60A See Catalog Numbers table)
- Amps: — 0-60A @ 250V (See Catalog Numbers table)
- 35-60A@600V (See Catalog Numbers table)

SCCR: — Class J 200kA, Class H 10kA

Agency Information: CE, UL Recognized, Guide IZLT2, File E14853, CSA Certified, Class 6225-01, File 47235.

Class H & J Features and Benefits

- H & J modular fuse blocks provide three pole 30 and 60 amp ratings for specific client requirements for separate line and load fuse clip configurations.

Typical Applications

- Up to 60A, space confined, control circuits

Catalog Numbers					
Screw	Pressure Plate	Fuse Class	Volts	Amps	Fig. No.
11241-3SR*	11241-3PR*	H	250	60	1
11242-3SR	11242-3PR				2
11241-3SR	11241-3PR		600	35	1
11242-3SR**	11242-3PR**				2
11239-3SR	11239-3PR	J	600	60	1
11240-3SR**	11240-3PR**				2
11241-3SR	11241-3PR				35
11239-3SR*	11239-3PR*			60	1

Note: Order two blocks per fuse (matched or mixed.)

*11239 and 11241 have wire terminals and mounting holes located under fuse. (Figure 1)

**11240 and 11242 have wire terminals and mounting holes located at end of fuse. (Figure 2)



Figure 1



Figure 2

Fuse Holders and Blocks

Box cover units for plug fuses

SOU, SRU, SSU, SOW, SRW, SSW, SOX, SRX, SSX, SOY, SRY, SSY, SSY-RL, SSY-L, STY, SCY, SOY-B & SKA

Specifications

Description: Box covers for standard electrical boxes that provide fused outlet, fused switch or circuit fuse protection.

Ratings:

Volts: — 125V/250V (See Catalog Numbers table)

Amps: — 0-15A (See Catalog Numbers table)

Agency Information: CE, See Catalog Numbers table.

Features/Benefits

- Cooper Bussmann® Box Cover Units provide a low-cost method of controlling and protecting small motors when used with Cooper Bussmann® Type T, Fusetron® , dual-element fuses.
- Provide low-cost supplementary protection and disconnection of 125V or less, single phase circuits.

Typical Applications

- Fractional Horsepower, 125 Volt Single-Phase Motor Circuits
- General 125 Volt Supplemental Circuits



Catalog Numbers

Catalog Numbers	Type Box	Fuse holder		Receptacle Outlet to Load		Switch Control ¹	Switch Light ²	Motor Size (Max)	General Data	Agency ⁴ Listing/ Certification	
		Single	Double	125V	250V						
SOU	2 1/4" Handy	X						3/4hp	125V, 15A	UL, CSA	
SRU		X		X				1/2hp	125V, 15A	UL	
SSU ⁵		X					X		1/2hp	125Vac, (do not use on dc), 15A	UL, CSA
SOW	2 3/4" Switch	X						3/4hp	125V, 15A	UL, CSA	
SRW		X		X				1/2hp	125V, 15A	UL	
SSW		X					X		1/2HP	125Vac, (do not use on dc), 15A	UL, CSA
SOX	4" Octagon	X						3/4hp	125V, 15A	UL, CSA	
SRX		X		X				1/2hp	125V, 15A	UL	
SSX		X					X		1/2hp	125Vac, (do not use on dc), 15A	UL, CSA
SOY	4" Square	X						3/4hp	125V, 15A	UL, CSA	
SRY		X		X				1/2hp	125V, 15A	UL	
SSY		X					X		1/2hp	125Vac, (do not use on dc), 15A	UL, CSA
SSY-RL		X		X			X	X	1/2hp	125Vac, (do not use on dc), 15A	—
STY ³				X			X		1/2hp	125Vac, (do not use on dc), 15A	UL
SCY				X			X(2)		1/2hp (2)	125Vac, (do not use on dc),	
SOY-B	4 1/8" Square		X					3/4hp	can protect two motors, 15A	UL	
SKA			X		X(15A)			2hp	125V, protects two motors, 15A	UL	
									250V, 15A single phase	UL	

¹ Switch turns power to fused load OFF or ON.

² Switch light indicates power to load (dark when switch OFF or fuse open).

³ Double-pole switch opens both side of circuit. STY can be used for two separate 125V motors not larger than 1/2hp with the common switch, or a single motor not larger than 2hp at 250V (Maximum of 150V to ground).

⁴ UL Guide JAMZ, File IE6491; CSA Class 6225-01, File 47235.

⁵ Weatherproof version available, Part No. SSN.

Fuse Holders and Blocks

In-line fuse holders for ¼" x ⅞" to 1¼" fuses

HFB & HFB-10



Specifications

Description: Waterproof in-line fuse holder for ¼" x 1¼" fuses.

Dimensions: See Dimensions illustration.

Construction: Thermoplastic rubber body with tin-plated, copper contacts.

Ratings:

Volts: — 32V

Amps: — 30A

Catalog Numbers

Catalog Numbers	Description
HFB*	Standard Pack (10-in)
BK/HFB	Bulk Pack (100-in)
BK/1A2294	HFB Replacement Contact Clip
1A2294-01	HFB-10** Replacement Contact Clip

*HFB accepts #12 to #18 wire leads (not provided). See Data Sheet for recommended crimp tools.

**HFB-10 accepts #10 wire leads (not provided). See Data Sheet for recommended crimp tools.

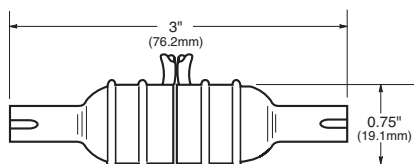
Features/Benefits

- Simple assembly with one-piece thermoplastic (important information molded into body)
- High visibility yellow color for easy identification in dark or hard-to-access locations
- Ideal for shock and vibration environments; withstands many organic solvents; temperature range -40/+150°C

Typical Applications

- Supplemental, Low Voltage, Low Amperage Control Circuits

Dimensions - in (mm)



Data Sheet: 2102

HHB



Specifications

Description: Universal in-line fuse holder for ¼" x ⅞", 1" and 1¼" fuses.

Dimensions: See Dimensions illustration.

Construction: Nylon body with tin-plated, copper contacts.

Ratings:

Volts: — 32V

Amps: — 30A

Flammability Rating: UL 94V2.

Pull Force: 5lbs minimum to separate fuse holder housing with fuse installed.

Features and Benefits

- HHB Universal in-line fuse holder for ¼" x ⅞", 1" and 1¼" fuses.

Typical Applications

- Supplemental, Low Voltage, Low Amperage Control Circuits

Catalog Numbers Holder — without leads*

Catalog Numbers	Description
HHB	Standard Pack (10-in)
BK/HHB	Bulk Pack (100-in)

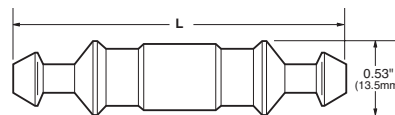
Holder — with pre-attached #14 Insulated lead wires

Catalog Numbers	8" Length	Wire Color
BK/HHB-Y419	BK/HHB-Y408	Yellow
BK/HHB-R419	BK/HHB-R408	Red
BK/HHB-B419	BK/HHB-B408	Black

*Accepts #12 to #16 wire leads (not provided with basic fuse holder). See Data Sheet for recommended crimp tools.

Dimensions - in (mm)

Fuse Length	Fuse Holder Length "L"
⅞" (AGW)	2.100 Max
1" (AGX)	2.250 Max
1¼" (AGC, MDL)	2.420 Max



Data Sheet: 2103

HRK



Specifications

Description: Universal in-line fuse holder for ¼" x ⅞" to 1¼" fuses.

Dimensions: See Dimensions illustration.

Construction: 8" (203mm) #14 lead wires staked and soldered to fuse holder contacts.

Ratings:

Volts: — 32V

Amps: — 15A

Features and Benefits

- HRK Universal in-line fuse holder for ¼" x ⅞", 1" and 1¼" fuses with #14 lead wires.

Typical Applications

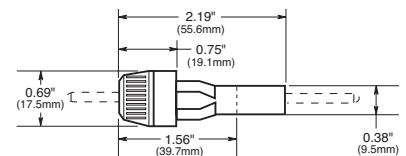
- Supplemental, Low Voltage, Low Amperage Control Circuits

Catalog Number

Catalog Number	Amp Rating	Volts	Fuse Description
HRK*	15	32	¼" diameter fuses of different lengths.

*Three springs furnished with fuse holder to accommodate different length ¼" fuses.

Dimensions - in (mm)



Data Sheet: 2111

Fuse Holders and Blocks

In-line fuse holders

HR and HM Series

Specifications

Description: In-line fuse holders for SFE and ¼" dia. x various length fuses.

Dimensions: See Dimensions illustration.

Ratings:

Volts: — 32V

Amps: — 20A

Features and Benefits

- HR and HM Universal in-line fuse holder for SFE and various length ¼" diameter fuses with #14 lead wires.

Typical Applications

- Supplemental, Low Voltage, Low Amperage Control Circuits

Catalog Numbers

Catalog Numbers	Includes Fuse	Wire Length & Size
HRJ*	SFE-20	19" of #14
HRI	SFE-14	
HRH	SFE-9	
HRE	SFE-7½	
HRG	SFE-6	
HRF	SFE-4	
HMJ**	SFE-20	8" of #14
HMI	SFE-14	
HMH	SFE-9	
HME	SFE-7½	
HMG	SFE-6	
HMF	SFE-4	

* Also available as in-line fuse holder only with lead wire contacts, HRJ-LESS-Fuse.

** Also available as in-line fuse holder only with lead wire contacts, HMJ-LESS-Fuse.

HHJ-A For ¼" x 1¼" fuse, no wire or fuse included, accepts #18 - #22 wire.

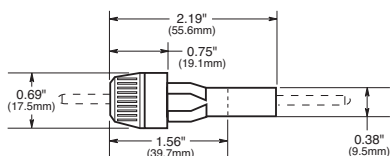
HHJ-B For ¼" x 1¼" fuse, no wire or fuse included, accepts #12 - #16 wire.

HHI-B For ¼" x 1½" fuse, no wire or fuse included, accepts #12 - #16 wire.

Replacement Contacts

Catalog Number	Symbol
9838	HHJ-A
9841	HHJ-B

Dimensions - in (mm)



Data Sheet: 2122

HFA Series



Specifications

Description: In-line waterproof fuse holders for ¼" x 1¼" fuses.

Dimensions: See Dimensions illustration.

Construction: Phenolic body with copper crimp contact leads.

Ratings:

Volts: — 250V

Amps: — 20A

Agency Information: CE, UL Recognized, (Guide IZLT2, File E14853) UL.

Flammability Rating: UL 94V0.

Features and Benefits

- HFA in-line, waterproof fuse holder for ¼" x 1¼" fuses.

Typical Applications

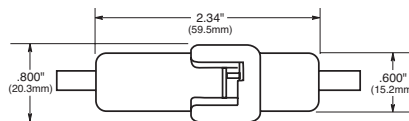
- Supplemental, Low Voltage, Low Amperage Control Circuits

Catalog Numbers

Catalog Numbers	Terminals
HFA	Crimp #12 - #16
HFA-HH*	¼" Quick Connect

*No UL Recognition.

Dimensions - in (mm)



Data Sheet: 2115

HHT Series



Specifications

Description: In-line fuse holders for 5 x 15mm or 5 x 20mm fuses.

Dimensions: See Dimensions illustration.

Construction: Black thermoplastic body with brass contacts, wire: 16 AWG, red.

Ratings:

Volts: — 32V

Amps: — 5A (5 x 15mm)

— 10A (5 x 20mm)

Features and Benefits

- HHT in-line fuse holders for 5 x 15 mm and 5 x 20 mm fuses.

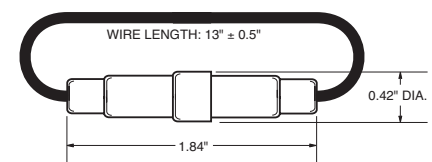
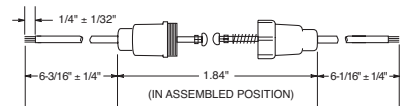
Typical Applications

- Supplemental, Low Voltage, Low Amperage Control Circuits

Catalog Numbers

Catalog Number	Fuse Size
HHT	5 x 15mm & 5 x 20mm

Dimensions - in (mm)



Data Sheet: 2138

Fuse Holders and Blocks

Tron® in-line fuse holders

HEG Series



Specifications

Description: Single-pole, non-breakaway, in-line fuse holders for Type SC fuses, 480V (or less).

Ratings:

Volts: — 600V
Amps: — 0-15A

Fuse Size: 1³/₃₂" x 1⁵/₁₆"

Catalog Number
HEG-AA

Data Sheet: 2124

HEH Series



Specifications

Description: Single-pole, non-breakaway, in-line fuse holders for Type SC fuses (Also fuse types BBS & KTQ, nominal size 1³/₃₂" x 1³/₈").

Ratings:

Volts: — 600V
Amps: — 0-20A

Agency Information:
CSA - 15A.

Catalog Numbers
HEH-AA, HEH-BB, HEH-AD

Data Sheet: 2124

HEC Series



Specifications

Description: Single-pole, non-breakaway, in-line fuse holders for Type SC-25, & SC-30 fuses, size 1³/₃₂" x 1⁵/₈".

Ratings:

Volts: — 480V
Amps: — 0-30A

Catalog Numbers
HEC-AA, HEC-RW-RLB-R

Data Sheet: 2124

HEJ Series



Specifications

Description: Single-pole, non-breakaway, in-line fuse holders for Type SC and Type HVW fuses, size 1³/₃₂" x 2¹/₄".

Ratings:

Volts: — 480V
Amps: — 35-60A Type SC
— 1/2-6A Type HVW

Catalog Numbers
HEJ-AA, HEJ-AB, HEJ-AC, HEJ-BB, HEJ-JJ, HEJ-JK, HEJ-LL, HEJ-LLB, HEJ-CC, HEJ-DD, HEJ-WW, HEJ-PP, HEJ-QQ

Data Sheet: 2123

HEB Series



Specifications

Description: Single-pole in-line fuse holders for any 1³/₃₂" x 1¹/₂" fuses (typically fuse types: BAF, FNM, FNQ, and KTK 1/0 - 30A).

Ratings:

Volts: — 600V
Amps: — 0-30A

Catalog Numbers
See Page 261

Data Sheet: 2127

HET Series



Specifications

Description: Single-pole in-line fuse holders for 1³/₃₂" x 1¹/₂" fuses with a permanently solid neutral identified by white plastic coupling nut.

Catalog Numbers

HET-AA, HET-AB, HET-AW, HET-AW-RLC-A, HET-AW-RLC-B, HET-AW-RLC-C, HET-AW-RLC-J, HET-AW-RYC, HET-BB, HET-BW-RLC-B, HET-BW-RYC, HET-JJ, HET-JK, HET-JW, HET-JW-RLC-J, HET-JW-RYC, HET-KK

Data Sheet: 2125

HEY Series



Specifications

Description: Double-pole in-line fuse holders for KTK-R fuses with optional breakaway receptacle, polarized, and accepting Class CC branch circuit fuses (Cooper Bussmann® KTK-R, FNQ-R & LP-CC; 600V or less, 200,000A IR).

Ratings:

Volts: — 600V
Amps: — 0-30A

Catalog Numbers
HEY-AA, HEY-AB, HEY-AC, HEY-AD, HEY-AE, HEY-AL, HEY-AW-DRLC-A, HEY-AW-DRLC-B, HEY-AW-DRYC, HEY-BB, HEY-JJ

Data Sheet: 2126

HEX Series



Specifications

Description: Double-pole in-line fuse holders for 1³/₃₂" x 1¹/₂" fuses (typically fuse types BAF, FNM, FNQ, and KTK 1/0 - 30A).

Ratings:

Volts: — 600V
Amps: — 0-30A

Catalog Numbers

HEX-AA, HEX-AB, HEX-AC, HEX-AD, HEX-AE, HEX-AW, HEX-AW-DRLC-A, HEX-AW-DRYC, HEX-AW-RLC-A, HEX-AW-RYC, HEX-AY, HEX-BB, HEX-CC, HEX-JJ, HEX-JK, HEX-JW-DRYC, HEX-KK

Data Sheet: 2126

Fuse Holders & Blocks

Fuse Holders and Blocks

For HEB holders only

Directions: To select complete holder P/N, work from left to right starting with load terminal options and then line terminal options. Then determine breakaway or non-breakaway style.

Catalog Numbers		Load Terminal					Line Terminal				
Non-Breakaway Catalog Numbers (Boots not included)	Breakaway Catalog Numbers (Boots included)	Terminal Type	Wire Size	No. of Wires per Terminal	Solid Wire	Stranded Wire	Terminal Type	Wire Size	No. of Wires per Terminal	Solid Wire	Stranded Wire
HEB-AA(1)(2)(3)	HEB-AW-RLC-A(1)(2)(3)	Copper Crimp	#12 to #8 #12	1 2	Y Y	Y Y	Copper Crimp	#12 to #8 #12	1 2	Y Y	Y Y
HEB-AB(2)	HEB-AW-RLC-B	Copper Crimp	#12 to #8 #12	1 2	Y Y	Y Y	Copper Crimp	#6 to #4 #10	1 2	Y Y	Y Y
HEB-AC(2)	HEB-AW-RLC-C	Copper Crimp	#12 to #8 #12	1 2	Y Y	Y Y	Copper Crimp	#4 #8	1 2	N Y	Y Y
HEB-AD(2)	N/A	Copper Crimp	#12 to #8 #12	1 2	Y Y	Y Y	Copper Crimp	#2 #6	1 2	N Y	Y Y
HEB-AE(2)	N/A	Copper Crimp	#12 to #8 #12	1 2	Y Y	Y Y	Copper Crimp	2/0 #3	1 2	N N	Y Y
HEB-AJ	HEB-AW-RLC-J	Copper Crimp	#12 to #8 #12	1 2	Y Y	Y Y	Copper Set-Screw	#12 to #3	1	Y	Y
HEB-AK	HEB-AW-RYC	Copper Crimp	#12 to #8 #12	1 2	Y Y	Y Y	Copper set-screw	#12 to #3	2	Y	Y
HEB-AL	HEB-AW-RLA	Copper Crimp	#12 to #8 #12	1 2	Y Y	Y Y	Aluminum Set-Screw	#12 to #2	1	Y	Y
HEB-AY	HEB-AW-RYA	Copper Crimp	#12 to #8 #12	1 2	Y Y	Y Y	Aluminum Set-Screw	#12 to #2	2	Y	Y
HEB-AR	N/A	Copper Crimp	#12 to #8 #12	1 2	Y Y	Y Y	Aluminum Crimp	#1, #2	1	N	Y
HEB-BA(2)	HEB-BW-RLC-A	Copper Crimp	#6, #4 #10	1 2	Y Y	Y Y	Copper Crimp	#12 to #8 #12	1 2	Y Y	Y Y
HEB-BB(2)	HEB-BW-RLC-B	Copper Crimp	#6, #4 #10	1 2	Y Y	Y Y	Copper Crimp	#6, #4 #10	1 2	Y Y	Y Y
HEB-BC(2)	N/A	Copper Crimp	#6, #4 #10	1 2	Y Y	Y Y	Copper Crimp	#4 #8	1 2	N Y	Y Y
HEB-BD(2)	N/A	Copper Crimp	#6, #4 #10	1 2	Y Y	Y Y	Copper Crimp	#2 #6	1 2	N Y	Y Y
HEB-CC(2)	N/A	Copper Crimp	#4 #8	1 2	N Y	Y Y	Copper Crimp	#4 #8	1 2	N Y	Y Y
HEB-DD(2)	N/A	Copper Crimp	#2 #6	1 2	N Y	Y Y	Copper Crimp	#2 #6	1 2	N Y	Y Y
HEB-ZA	N/A	Copper Crimp	#20, #18	1	Y	Y	Copper Crimp	#12 to #8 #12	1 2	Y Y	Y Y
HEB-JJ	HEB-JW-RLC-J	Copper Set-Screw	#12 to #3	1	Y	Y	Copper Set-Screw	#12 to #3	1	Y	Y
HEB-JK	HEB-JW-RYC	Copper Set-Screw	#12 to #3	1	Y	Y	Copper Set-Screw	#12 to #3	2	Y	Y
HEB-JL	N/A	Copper Set-Screw	#12 to #3	1	Y	Y	Aluminum Set-Screw	#12 to #2	1	Y	Y
HEB-JY	N/A	Copper Set-Screw	#12 to #3	1	Y	Y	Aluminum Set-Screw	#12 to #2	2	Y	Y
HEB-LL	HEB-LW-RLA	Aluminum Set-Screw	#12 to #2	1	Y	Y	Aluminum Set-Screw	#12 to #2	1	Y	Y
HEB-NN	N/A	Aluminum Crimp	#8 #6	1 1	N Y	Y N	Aluminum Crimp	#8 #6	1 1	N Y	Y N
HEB-PP(2)	N/A	Aluminum Crimp	#6 #4	1 1	N Y	Y N	Aluminum Crimp	#6 #4	1 1	N Y	Y N
HEB-QQ(2)	N/A	Aluminum Crimp	#3, #4 #2	1 1	N Y	Y N	Aluminum Crimp	#3, #4 #2	1 1	N Y	Y N
HEB-RR(2)	N/A	Aluminum Crimp	#1, #2	1	N	Y	Aluminum Crimp	#1, #2	1	N	Y
HEB-TT(2)	N/A	Aluminum Crimp	1/0	1	N	Y	Aluminum Crimp	1/0	1	N	Y
HEB-SS	N/A	Solid Terminal for aluminum connector	#8 to #12 #10 to #14	1 1	Y N	N Y	Solid Terminal for aluminum connector	#8 to #12 #10 to #14	1 1	Y N	N Y

(1) UL Recognized, Guide IZLT2, File E14853

(2) CSA Certified, Class 6225-01, File 47235

(3) CE

For custom terminations contact your Cooper Bussmann representative.

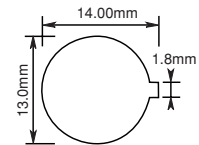
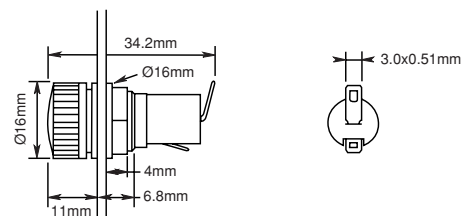
Panel mounted fuse holders for 5 x 20mm fuses

HTC-30M**Ratings:**

Volts: — 250V

Amps: — 6.3A

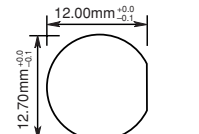
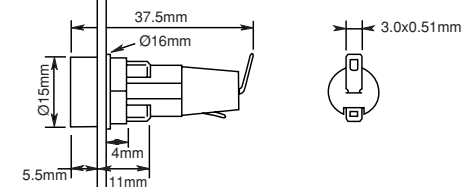
Watts: — 2.5W

Fuse Access: Screwdriver slot**Data Sheet: 2110****HTC-35M****Ratings:**

Volts: — 250V

Amps: — 6.3A

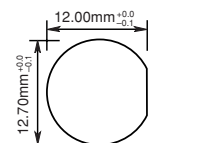
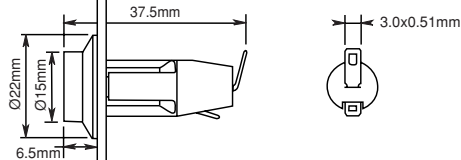
Watts: — 2.5W

Fuse Access: Threaded cap**Data Sheet: 2110****HTC-40M****Ratings:**

Volts: — 250V

Amps: — 6.3A

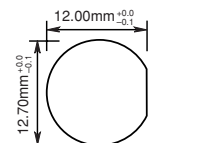
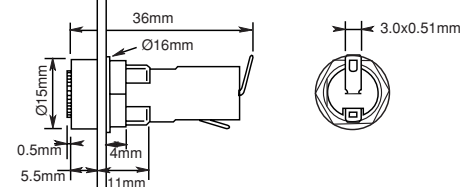
Watts: — 2.5W

Fuse Access: Screwdriver slot**Data Sheet: 2110****HTC-55M****Ratings:**

Volts: — 250V

Amps: — 6.3A

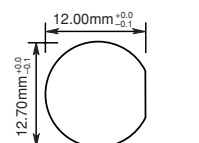
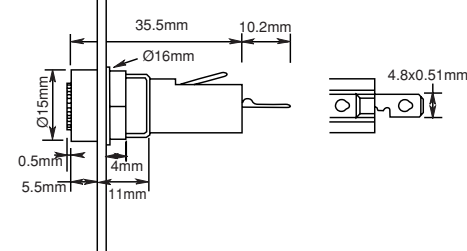
Watts: — 2.5W

Fuse Carrier: Bayonet type**Data Sheet: 2110****HTC-70M****Ratings:**

Volts: — 250V

Amps: — 10A

Watts: — 2.5W

Fuse Carrier: Bayonet type**Data Sheet: 2110****Specifications****Terminals:** Tin-plated brass.**Molded Materials:** High temperature thermoplastic that meets the flammability ratings of UL 94V0; Glow Wire Test: 960°C per IEC 60695-2-1.**Solderability:** In accordance with IEC 68-2-20.**Agency Information:** RoHS Compliant, CE, UL Recognized — Guide IZLT2, File E14853, CSA Certified — Class 6225-01, File 47235, SEMKO — 9226031 (HTC-30M, HTC-35M); 9226032 (HTC-40M); 9226033 (HTC-55M); 9226034 (HTC-70M)**Electrical:** Contact Resistance: ≤ 10mΩ; Insulation Resistance: ≥ 10mΩ; Dielectric Strength ≥ 2000Vac.**Shock Safety:** PC2 (fuse holders).**Packaging:** Standard Qty 10 (No Prefix), Bulk Qty 100 (Prefix Catalog Number with BK/).

Fuse Holders and Blocks

Panel mounted fuse holders for 1/4" x 1 1/4" fuses

HKP, HKP-L, HKP-W



Specifications

Description: Standard fuse holders.

Dimensions: See Dimensions illustration.

Ratings:

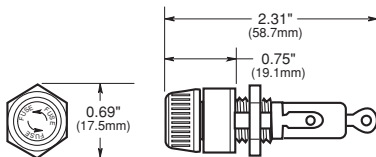
Volts: — 250V

Amps: — 30A

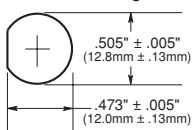
Catalog Numbers

Catalog Numbers	Fuse Description
HKP	—
HKP-L	HKP w/ 2250V stand-off barrier
HKP-W	HKP w/ drip-proof knob

Dimensions



Punched Mounting Hole



HKP-BBHH, HKP-HH and HKP-LW-HH



Specifications

Description: Fuse holders with 1/4" quick-connects.

Dimensions: See Dimensions illustration.

Ratings:

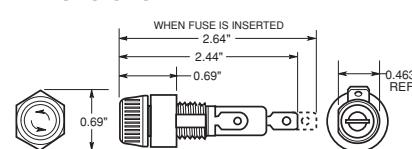
Volts: — 250V

Amps: — 15A

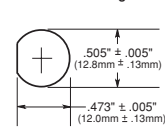
Catalog Numbers

Catalog Numbers	Fuse Description
HKP-BBHH	HKP w/ 1/4" quick-connects, nut and washer assembled.
HKP-HH	HKP w/ 1/4" quick-connect.
HKP-LW-HH	HKP w/ drip-proof knob, 2250V stand-off barrier and quick-connects.

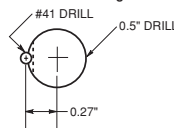
Dimensions



Punched Mounting Hole



Drilled Mounting Hole



HKP-OO



Specifications

Description: Snap-lock fuse holders.

Dimensions: See Dimensions illustration.

Ratings:

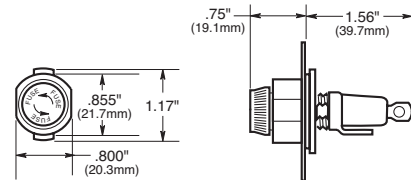
Volts: — 250V

Amps: — 30A

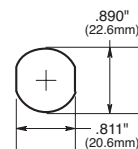
Catalog Numbers

Catalog Number	Fuse Description
HKP-OO	HKP with snap-lock

Dimensions



Punched Mounting Hole



Data Sheet: 2106

Data Sheet: 2106

Data Sheet: 2106

Specifications

Terminals: Bayonet-type knob.
Vibration resistant.
For panels up to 5/16" (7.9mm) thick.

Agency Information: CE, UL Recognized — Guide IZLT2, File E14853, CSA Certified — Class 6225-01, File 47235

Replacement Parts:

Knob: 9435-1/2"
Plastic Nut: BK/1A4287
Metal Nut: BK/1A4806-2
Washer: 9732

Fuse Holders and Blocks

Panel mounted fuse holders for 5 x 20mm and ¼" x 1 ¼" fuses

HTB Series

Specifications

Description: Fuse holders with knob-type carriers.

Dimensions: See Dimensions illustrations.

Construction: High temperature, flame retardant thermo-plastic; UL Component Recognized; UL 94V0; mounting nut, spacer-black polycarbonate. Terminals: tin-plated brass.

Electrical Data: Insulation resistance (per IEC #257) — 10,000 ohms @ 500Vdc; contact resistance (per IEC #257) — 0.005 ohms Max @ 1A; standoff voltage (per IEC #257) — 480V/Mil @ 0.125" thickness.

Agency Information: CE, UL Recognized — Guide IZLT2, File E14853, 20A (3/16" quick-connect 15A) @ 250V, CSA — 16A @ 250V Class 6225-01 File 47235; VDE* — 6.3A @ 250V, 49890, SEMKO* — 6.3A @ 250V, 8945092, 9005230.

Mounting: Withstands 15 to 20 lbs-ins torque to mounting nut when mounting fuse holder to panel. Maximum panel thickness 0.300 inches.

Environmental: Maximum operating temperature -55/+85°C.

*Screwdriver slot carrier only.



Knob Type Carrier	Maximum Panel Thickness	Terminal Options				Carrier Options	
		Solder/ ⅜" Quick-Connect		¼" Quick-Connect		¼" x 1 ¼" ("I" Equals Inches)	5 x 20mm ("M" Equals Metric)
		In-Line	Rt. Angle	In-Line	Rt. Angle	Knob	Knob
Common Dimensions: Length (Knob Type) - 1.69" (42.9mm) Plus In-Line Terminal (Screwdriver Slotted) 1.75" (44.5mm) NOTE: Plus In-Line Terminal	 0.30"	HTB-22I	HTB-24I	HTB-26I	HTB-28I	X	
	7.62mm	HTB-22M	HTB-24M	HTB-26M	HTB-28M		X
 0.125"	HTB-42I	HTB-44I	HTB-46I	HTB-48I	X		
	3.18mm	HTB-42M	HTB-44M	HTB-46M	HTB-48M		X
 0.30"	HTB-62I	HTB-64I	HTB-66I	HTB-68I	X		
	7.62mm	HTB-62M	HTB-64M	HTB-66M	HTB-68M		X
 0.125"	HTB-82I	HTB-84I	HTB-86I	HTB-88I	X		
	3.18mm	HTB-82M	HTB-84M	HTB-86M	HTB-88M		X

Fuse holders and fuse carriers may be ordered separately.

Data Sheet: 2119

Fuse Holders and Blocks

Panel mounted fuse holders for 5 x 20mm and 1/4" x 1 1/4" fuses

HTB Series



Knob Type Carrier	Maximum Panel Thickness	Terminal Options				Carrier Options	
		Solder/ 3/16" Quick-Connect		1/4" Quick-Connect		1/4" x 1 1/4" ("I" Equals Inches)	5 x 20mm ("M" Equals Metric)
		In-Line	Rt. Angle	In-Line	Rt. Angle	Knob	Knob
Common Dimensions: Length (Knob Type) - 1.69" (42.9mm) Plus In-Line Terminal (Screwdriver Slotted) 1.75" (44.5mm) NOTE: Plus In-Line Terminal							
 HTB-3	0.30" 7.62mm	HTB-32I	HTB-34I	HTB-36I	HTB-38I	X	
		HTB-32M	HTB-34M	HTB-36M	HTB-38M		X
 HTB-5	0.125" 3.18mm	HTB-52I	HTB-54I	HTB-56I	HTB-58I	X	
		HTB-52M	HTB-54M	HTB-56M	HTB-58M		X
 HTB-9	0.125" 3.18mm	HTB-92I	HTB-94I	HTB-96I	HTB-98I	X	
		HTB-92M	HTB-94M	HTB-96M	HTB-98M		X

Catalog Number Build-A-Code

	HTB-				S	P	FUSE CARRIER ONLY		
Packing (Blank) - Std. BK/ - Bulk	Product Symbol		Fuse Carrier I - 1/4" x 1-1/4" M - 5mm x 20mm	Splash Proof (Optional on -2, -4, -6, and -8)			Packaging (Blank) - Std. BK/ - Bulk	Product Symbol FT - Knob Type (For 20, 40, 60, and 80 Series Only) ST - Screwdriver Slotted (For 30, 50, and 90 Series Only)	Fuse Carrier I - 1/4" x 1 1/4" M - 5mm x 20mm
Body Configuration and Mounting Finger Grip Holders 2 - Low Profile (Rear Panel Hex-Nut) 4 - High Profile *6 - (Front Panel Hex-Nut) 8 - Low Profile (Snap-In) Screwdriver Slotted Holders 3 - Low Profile 5 - High Profile 9 - Low Profile (Snap-In)		Rear Terminal Configuration 2 - Solder/3/16" Quick-Connect (In-Line) 4 - Solder/3/16" Quick-Connect (Right Angle) 6 - 1/4" Quick-Connect (In-Line) 8 - 1/4" Quick-Connect (Right Angle)							

*Profile varies with panel thickness. Holder installs thru rear of panel.

Fuse Holders and Blocks

Panel mounted fuse holders for indicating type fuses

HLD



Specifications

Description: Pin indicating for 1/4" x 1 1/4" fuses.

Dimensions: See Dimensions illustration.

Ratings:

Volts: — 250V

Amps: — 15A

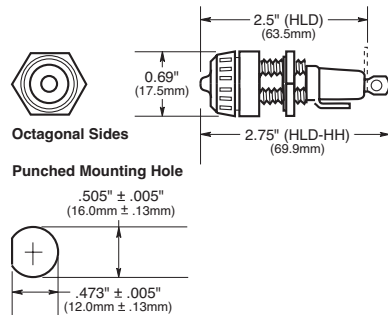
Agency Information: CE, UL Recognized, (File E14853, Guide IZLT2).

Catalog Numbers

Catalog Numbers*	Terminals
HLD	Solder terminals
HLD-HH	1/4" quick-connect terminals

*Use w/GBA, GLD Fuses

Dimensions - in (mm)



Data Sheet: 2120

HJL



Specifications

Description: Neon lamp indicating for 1/4" x 1" fuses.

Dimensions: See Dimensions illustration.

Ratings:

Volts: — 250V

Amps: — 15A

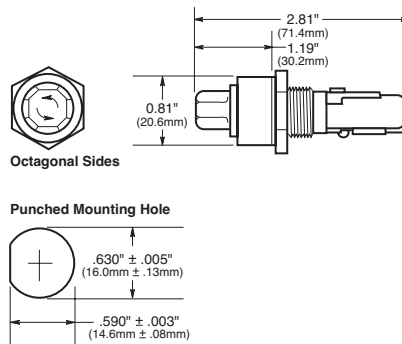
Agency Information: None

Catalog Number

Catalog Number*	Volts	Lamp Color	Knob Type
HJL	90 to 250	Clear	Oct

*Use with AGX or MKB fuses, for panels up to 1/8" thick.

Dimensions - in (mm)



Data Sheet: 2121

HK Series



Specifications

Description: Neon and incandescent lamp indicating for 1/4" x 1 1/4" fuses

Dimensions: See Dimensions illustration.

Ratings:

Volts: — 250V

Amps: — 15A (HKL, HKL-X)

— 20A (HKR, HKT, HKU, HKX)

Agency Information: CE, UL

Recognized, (Guide IZLT2, File E14853), CSA Certified (Class 6225-01, File 47235).

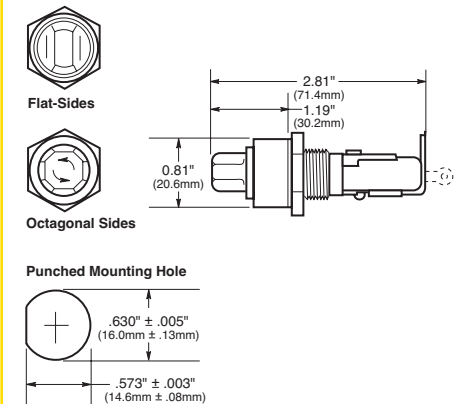
Catalog Numbers

Catalog Numbers	Lamp Volts	Knob Color/Type
HKL*	90-250	Clear/Oct
HKL-X*		Clear/FS
HKR**	22-30	Amber/Oct
HKT**	13-22	Amber/Oct
HKU**	4-6	Red/Oct
HKX**	22-33	Amber/FS

* Neon lamp — UL Recognized and CSA Certified

** Incandescent lamp

Dimensions - in (mm)



Data Sheet: 2105

Fuse Holders & Blocks

Fuse Holders and Blocks

Panel mounted fuse holders for 1 3/32" x 1 5/16" to 1 1/2" fuses

HPF



Specifications

Description: Standard fuse holders with screw-type knob for 1 3/32" x 1 5/16" to 1 1/2" Fuses.

Dimensions: See Dimensions illustration.

Agency Information: CE, UL Recognized, (Guide IZLT2, File E14853) CSA Certified (Class 6225-01, File 47235).

Flammability Rating: UL 94HB.

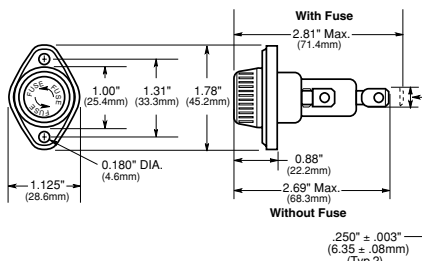
Terminals: Combination 1/4" quick-connect/solder terminals.

Catalog Numbers

Catalog Numbers	Amp Ratings	Volts	Fuse Description
HPF	30(3)	600	1 1/2" (38.1mm)
HPF-C	30(4)	600(4)	1 1/2" (38.1mm) clear knob.
HPF-L	5	600	BBS, 1 3/32" x 1 5/16" fuses.
HPF-EE	15	600	SC 0-15, 1 3/32" x 1 5/16" fuses.
HPF-JJ	20	600	SC 20, 1 3/32" x 1 5/16" fuses.
HPF-FF(2)	30(3)	480	SC 25 & 30, 1 3/32" x 1 5/16" fuses.
HPF-RR	30(3)	600	KTK-R, LP-CC & FNQ-R Class CC fuses.
HPF-WT	30(3)	600	Splash-proof knob. 1 3/32" x 1 5/16" (38.1mm)

- (2) No CSA Certification
- (3) 20A max when used with quick-connect terminals.
- (4) HPF-C ratings for CSA-15A, 250V

Dimensions - in (mm)



Data Sheet: 2114

HPS



Specifications

Description: Standard fuse holders with bayonet-type knob for 1 3/32" x 1 5/16" to 1 1/2" fuses.

Dimensions: See Dimensions illustration.

Agency Information: CE, UL Recognized, (Guide IZLT2, File E14853) CSA Certified (Class 6225-01, File 47235).

Flammability Rating: UL 94HB.

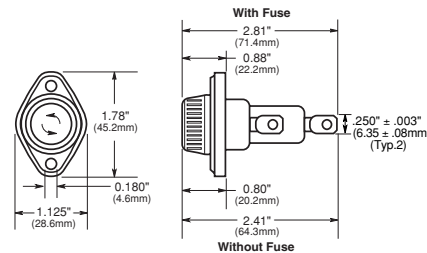
Terminals: Combination 1/4" quick-connect/solder terminals.

Catalog Numbers

Catalog Symbol	Amp Ratings	Volts	Fuse Description
HPS	30(3)(4)	600	1 3/32" x 1 1/2"
HPS-L	5	600	BBS, 1 3/32" x 1 5/16" fuses.
HPS-EE*	15	600	SC 0-15, 1 3/32" x 1 5/16" fuses.
HPS-JJ*	20	600	SC 20, 1 3/32" x 1 5/16" fuses.
HPS-F-EE(2)15	600		Sleeve on body, leaded for 1 3/32" x 1 5/16" fuses.
HPS-FF*(2)	30(3)	480	SC 25 & 30, 1 3/32" x 1 5/16" fuses.
HPS-RR*(2)	30(3)	600	KTK-R, LP-CC, FNQ-R Class CC fuses.

- *-EE, -JJ, -FF and -RR versions are UL Recognized for applications requiring branch circuit protection.
- (1) No UL Recognition
- (2) No CSA Certification
- (3) 20A max when used with quick-connect terminals.
- (4) HPS rated at 250V for CSA

Dimensions - in (mm)



Data Sheet: 2113

HPG



HPD



Specifications

Description: Standard fuse holders with bayonet-type knob for 1 3/32" x 1 1/2" fuses.

Dimensions: See Dimensions illustrations.

Agency Information: CE, UL Recognized, (Guide IZLT2, File E14853).

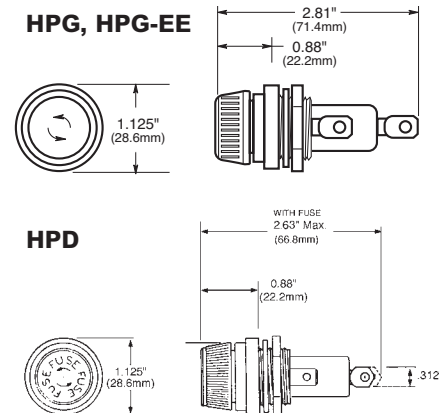
Flammability Rating: UL 94V0 - fuse holder body UL 94HB - Knob.

Catalog Numbers

Catalog Numbers	Amp Ratings	Volts	Fuse Description
HPG*	30(3)	600	1 3/32" x 1 1/2" fuses
HPG-EE*	15	600	SC 0-15, 1 3/32" x 1 1/2" fuses.
HPD**	30(3)	600	1 3/32" x 1 1/2" fuses

- (3) 20A max when used with quick-connect terminals.
- *HPG and HPG-EE has combination 1/4" quick-connect/solder terminals on both side (load) and rear (line) terminals.
- **HPD has combination 1/4" quick-connect/solder terminal on side (load) terminal only. Rear (line) terminal is 3/16" shorter than HPG. Rear terminal solder only.

Dimensions - in (mm)



Data Sheet: 2108

Fuse Holders and Blocks

Fuse blocks for ¼" x 1 ¼" fuses

Series 8000



Specifications

Description: Bolt-in and snap-in mounting for ¼" x 1 ¼" fuses.

Construction: Blocks are molded flame retarded thermoplastic. Clips are spring-bronze.

Ratings:

Volts: — 300V

Amps: — 25A (See Catalog Numbers table)

Agency Information: CE, UL Recognized ; File E14853A, Guide IZLT2, CSA Certified Class 6225-01, File 47235.

Anti-Rotation Pin: Single-pole blocks may be ordered without the anti-rotational pin simply by adding an "X" to the number of poles (Example: BK/S-8000-1X).

Carton Quantity: 10; shelf package: 100.

Bulk Carton: Single-pole and 2-pole fuse blocks—1,000; Multiple-pole fuse blocks—3- to 8-pole: 200; 9- to 12-pole: 50. When ordering bulk quantities, prefix "BK/" to catalog number: (Example: BK/S-8001-1-SNP).

Catalog Numbers

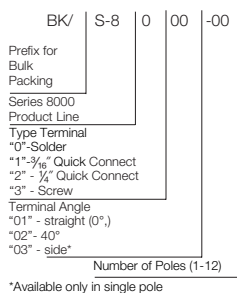
Bolt-in Mounting

Catalog Numbers	Series	Terminal	Angle	Agency Maximums	Poles (Suffix)
S-8001-	8000	Solder	0°	UL 25A	1 - 12
S-8002-			40°	CSA 21A	
S-8101-	8100	⅜" Quick Connect	0°	UL 20A	
S-8102-			40°	CSA 13A	
S-8201-	8200	¼" Quick Connect	0°	UL 20A	
S-8202-			40°	CSA 16A	
S-8203-		Side			
S-8301-	8300	Screw	—	UL 30A CSA 25A	

Snap-in Mounting

Catalog Numbers	Series	Terminal	Angle	Agency Maximums	Poles (Suffix)
S-8001-1-SNP	8000	Solder	0°	UL 25A	Available only in single pole
S-8002-1-SNP			40°	CSA 21A	
S-8101-1-SNP	8100	⅜" Quick Connect	0°	UL 20A	
S-8102-1-SNP			40°	CSA 13A	
S-8201-1-SNP	8200	¼" Quick Connect	0°	UL 20A	
S-8203-1-SNP			Connect	Side	

Catalog Number Build-A-Code



Single-Pole Fuse Blocks

Specifications

Description: Single-pole fuse block for ¼" x 1 ¼" (6.4 x 31.8mm) size fuses.

Dimensions: See Dimensions illustrations.

Construction: Bakelite base width ½" (12.7mm); spring-bronze, bright tin-lead plate clips.

Ratings:

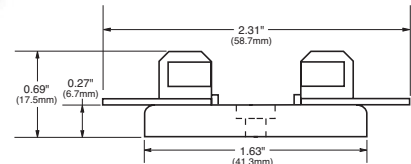
Volts: — 250V

Amps: — 30A



4405 - 0° Solder terminals with integral terminal and clip

Dimensions

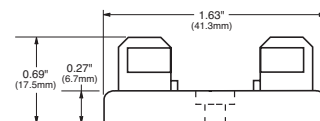


4406 - Side solder terminal



4574 - Spare fuse block

Dimensions

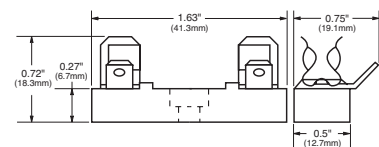


2499 - Side quick-connect

Agency Information: UL Recognized, Guide IZLT2, File E14853

Terminals: ¼" (6.4mm); 15A, 250V

Dimensions



Note: Mounting screw hole diameter is 0.147" (3.7mm). Counterbore diameter, 0.636" (8.0mm). Max Mounting Screw No. 6.

Fuse blocks for ¼" x 1" fuses

3828 Series



Specifications

Description: Fuse block for ¼" x 1" (6.4 x 25.4mm) fuses with solder terminals.

Dimensions: See Dimensions illustration.

Ratings:

Volts: — 250V

Amps: — 30A

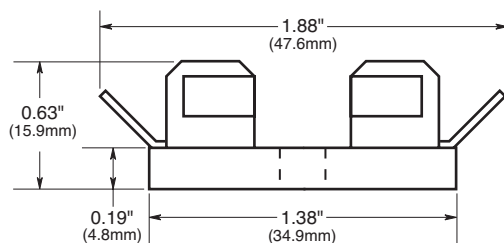
Mounting: Mounting screw hole diameter is 0.147" (3.7mm), diameter. Max mounting screw No. 6.

Catalog Numbers

Catalog Numbers	Poles	*Base Length in (mm)
3828-1	1	½ (12.7)
3828-2	2	1¼ (28.6)
3828-3	3	1¾ (44.5)
3828-4	4	2¾ (60.3)
3828-5	5	3 (76.2)
3828-6	6	3¾ (92.1)
3828-7	7	4¼ (108.0)
3828-8	8	4¾ (123.8)
3828-10	10	6¼ (155.6)
3828-12	12	7¾ (187.3)

*Small phenolic base, base width 1¾" (34.9mm)

Dimensions - in (mm)



4520 and 4393



Specifications

Description: Single-pole fuse block for ¼" x 1" fuses.

Dimensions: See Dimensions illustrations.

Construction: Bakelite with ½" (12.7mm) width base. Spring-bronze, bright tin-lead plated clips.

Ratings:

Volts: — 250V

Amps: — 30A

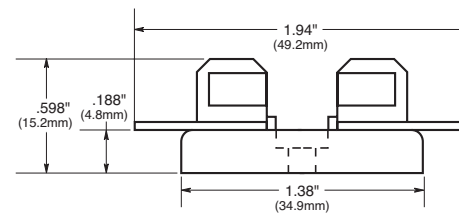
Mounting: Mounting screw hole diameter is 0.147" (3.7mm), counterbore 0.636" (8.0mm) diameter. Max mounting screw No. 6.

Catalog Numbers

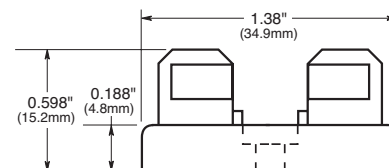
Catalog Numbers	Description
4520	Integral clip and straight solder terminals
4393	Spare fuse block

Dimensions - in (mm)

No. 4520 - Integral clip and straight solder terminals



No. 4393 - Spare fuse block



Fuse Holders and Blocks

Blocks for 1³/₃₂" X 1¹/₂" fuses

3743



Specifications

Description: Add-on fuse blocks for 1³/₃₂" X 1¹/₂" (10.3 X 38.1mm) fuses. Single pole blocks lock into each other and can be added at any time. Each has a single end barrier.

Dimensions: See Dimensions illustration.

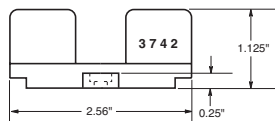
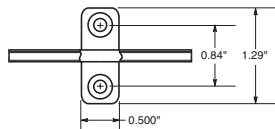
Construction: Molded phenolic base, screw terminals and beryllium copper, bright-dipped clips.

Ratings:

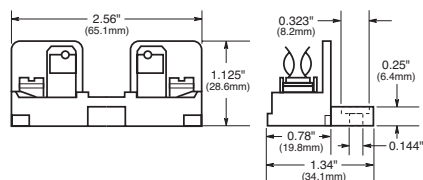
Volts: — 600V

Amps: — 30A

Agency Information: CE, UL Recognized Guide IZLT2, File E14853.



No. 3742—End Barrier Only



No. 3723—Marking Strip. Length is 9³/₈" (23.8cm). Block and end barrier

Note: Mounting screw hole is 0.147" (3.7mm) dia. Counterbore, 0.636" (8mm) dia. Max. mounting screw No. 6.

Data Sheet: 2104

3835 Series



Specifications

Description: Multiple pole fuse blocks for 1³/₃₂" X 1¹/₂" (10.3 X 38.1mm) fuses.

Dimensions: See Dimensions illustration.

Construction: Phenolic base with silver-plated, beryllium copper clips and screw terminals. No side barriers.

Ratings:

Volts: — 250V

Amps: — 30A

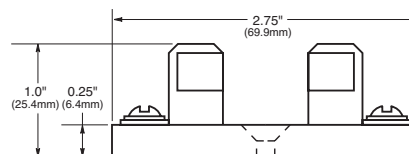
Agency Information: CE

Catalog Numbers

Catalog Numbers	Poles	Base* Width In (mm)
3835-1	1	2 ⁷ / ₃₂ (21.4)
3835-2	2	1 ¹ / ₁₆ (46.0)
3835-3	3	2 ²⁵ / ₃₂ (70.6)
3835-4	4	3 ³ / ₁₆ (95.2)
3835-5	5	4 ²³ / ₃₂ (119.9)
3835-6	6	5 ¹ / ₁₆ (144.5)
3835-7	7	6 ² / ₁₆ (169.0)
3835-8	8	7 ⁷ / ₁₆ (193.7)
3835-9	9	8 ¹ / ₁₆ (218.8)
3835-10	10	9 ⁹ / ₁₆ (242.9)
3835-12	12	11 ¹ / ₂ (292.1)

*Base length: 2³/₁₆" (69.9mm)

Dimensions



Note: Mounting screw hole diameter is 0.148" (3.7mm). Countersink, 0.313" (7.9mm). Max. mounting screw No. 6.

4421 and 4515



Specifications

Description: Single pole fuse blocks for 1³/₃₂" X 1¹/₂" (10.3 X 38.1mm) fuses.

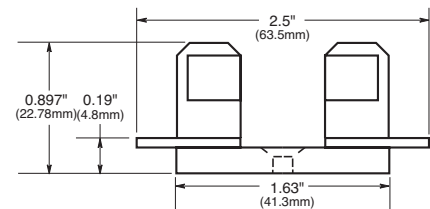
Dimensions: See Dimensions illustration.

Ratings:

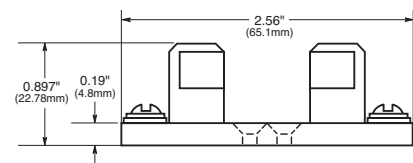
Volts: — 250Vac (or less)

Amps: — 30A

Agency Information: CE



No. 4421—Solder Terminals. Base width 5⁷/₁₆" (15.9mm)



No. 4515—Screw Terminals. Base width 3¹/₁₆" (19mm)

Note: Mounting screw hole diameter is 0.147" (3.7mm). Countersink, 0.312" (7.9mm). Max. mounting screw No. 6.

Rail mount fuse holders

NDNF1-WH

Specifications

Description: Rail mount fuse holder.

Circuit Jumper: JF1, 2 circuits

Fuse Size: 1³/₂" X 1¹/₂" (KTK, FNQ).

Poles: 1

Wire Range: AWG #8-22 CU.

Ratings:

Volts: — 600V

Amps: — 30A

Agency Information: UL E62622; CSA LR15364.

Flammability Rating: UL 94V2.

Marking Tape: MT12-1/2

Torque Rating: 18 in-lb max.

Mounting Options: 35mm DIN rail, C-rail.

Catalog Numbers

Catalog

Number	Color
NDNF1-WH	White

Fuse Pullers (Optional): PF1

Lighted neon or incandescent lamp:

Catalog

Numbers	Voltage
LPF1-24	24
LPF1-120	120
LPF1-120-C	120
LPF1-220	220
LPF1-440	440



NDNLF1

Specifications

Description: Rail mount fuse holder.

Circuit Jumper: JF1, 2 circuits.

Fuse Size: 1/4" X 1 1/4" (Cooper Bussmann AGC, MDL or equivalent).

Poles: 1

Wire Range: AWG #8-22 CU.

Ratings:

Volts: — 600V

Amps: — 30A (NDNDF1 non-fused)

— 15A (NDNFD1, 600V/CSA, fused)

— 15A (NDNLF1*fused, indicating)

*WH24 - 24V White, WH-90Vdc-600Vdc, 115Vac-600Vac White

Agency Information: CE, UL E62622; CSA LR15364.

Flammability Rating: UL 94V2.

Marking Tape: MT12-1/2

Torque Rating: 18 in-lb max.

Mounting Options: 35mm DIN rail, C-rail.

Catalog Numbers

Catalog

Number	Color	Indicator
NDNFD1-WH	White	NO
NDNLF1-WH	White	90Vdc-600Vdc 115Vac-600Vac
NDNLF1-WH 24	White	24V

Extension: WH - White

(Only available with NDNLF1)



COOPER Bussmann

FINGER SAFETY
Optional safety barrier covers energized parts for added protection.

FLEXIBILITY
Allows applications 1-100A as well as 0-600 Vac.

HIGH VISIBILITY
NEMA 1, 3R, 12 and 4x enclosures available in high-visibility yellow or standard gray.

CUBEFuse®
Features finger-safe, time-delay, current-limiting design with the best permanent fuse indication technology available.

COOPER Bussmann
Safety Module

easyID

easyID™ WINDOW
Lets you quickly identify open fuse without opening enclosure.



The New Cooper Bussmann® Safety Module™ Reduces Downtime. Increases Safety.

The new Cooper Bussmann Safety Module disconnect lets you easily view the fuses without opening the enclosure while the Cooper Bussmann CUBEFuse® indication technology shows clearly and quickly whether the fuse is good or needs to be replaced.

You also get a combination of finger-safety and dead-front construction for added protection against electrical hazards.

To learn more about the Safety Module and easyID™ technology, contact your nearest authorized Cooper Bussmann distributor or visit www.cooperbussmann.com.

COOPER

The Power Behind The Brands.



COOPER Lighting



COOPER Crouse-Hinds



COOPER Power Systems



COOPER Wiring Devices



COOPER B-Line